

FK 1296

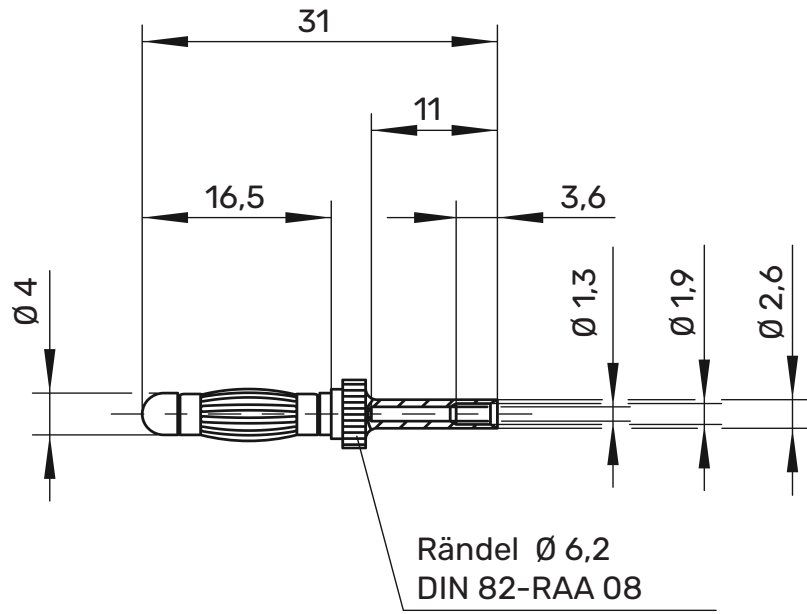
Lamella-basket plug

Ø 4mm

30 V_{AC} / 60V_{DC}

10 A

- with crimp terminal for cables 1 mm²



General information

Order No.¹⁾

FK 1296 Ni | Au

contact parts

chem. nickel-plated |
chem. gold-plated

Technical data

terminal	crimp 1 mm ²
transition resistance	3 mΩ (Ni) 2 mΩ (Au)
rated voltage ²⁾	30 V _{AC} / 60 V _{DC}
rated current ²⁾	10 A
operating temperature	from -40 °C to +110 °C

¹⁾ other contact platings and designs on request
²⁾ at normal ambient temperatures

FK 1296

Ni

Au

99000782

99000783