

FK 1386

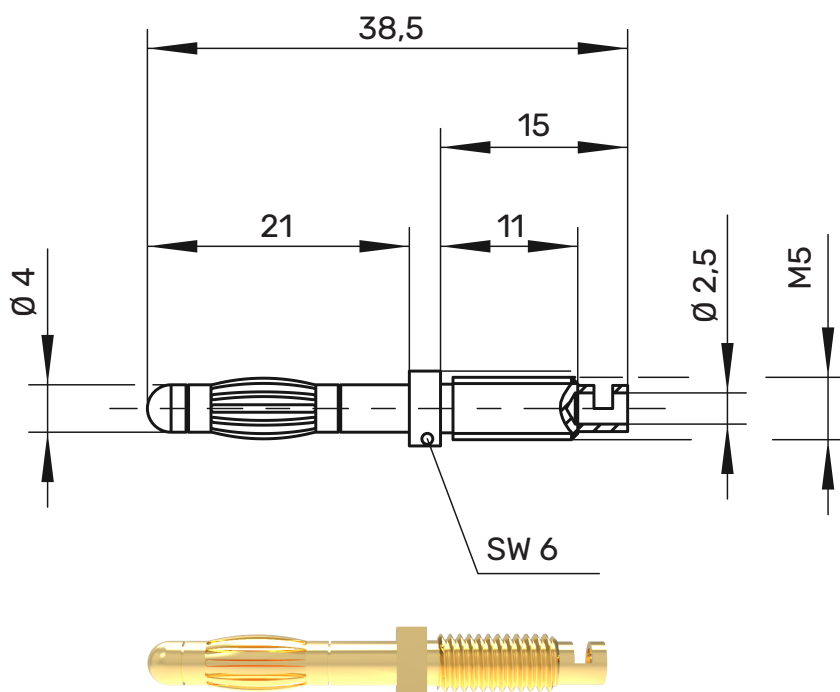
Lamella-basket plug

Ø 4mm

30 V_{AC} / 60V_{DC}

32 A

- 4-sided fastener, width across flats SW 6
- thread M5 x 11
- with solder terminal for cables up to 2.5 mm²



General information

Order No.¹⁾

FK 1386 Ni | Au

contact parts

nickel-plated | **gold-plated**

Technical data

terminal	solder up to 2,5 mm ²
transition resistance	3 mΩ (Ni) 2 mΩ (Au)
rated voltage ²⁾	30 V _{AC} / 60 V _{DC}
rated current ²⁾	32 A
operating temperature	from -40 °C to +110 °C

¹⁾ other contact platings and designs on request
²⁾ at normal ambient temperatures

FK 1386

Ni

Au

99000793

99000794