

FK 1945

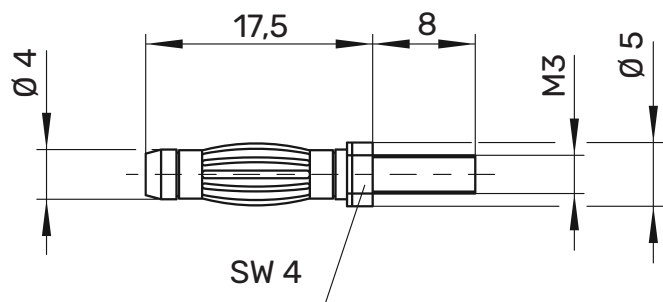
Lamella-basket plug

Ø 4mm

30 V_{AC} / 60V_{DC}

32 A

- 2-sided fastener, width across flats SW 4
- thread M3 x 8



General information

Order No.¹⁾ **FK 1945 Ni | Au**
 contact parts nickel-plated | **gold-plated**

Technical data

transition resistance 3 mΩ (Ni) | 2 mΩ (Au)
 rated voltage²⁾ 30 V_{AC} / 60 V_{DC}
 rated current²⁾ 32 A
 operating temperature from -40 °C to +110 °C

¹⁾ other contact platings and designs on request
²⁾ at normal ambient temperatures

FK 1945

Ni

Au

99000957

99016080