

FK 2390

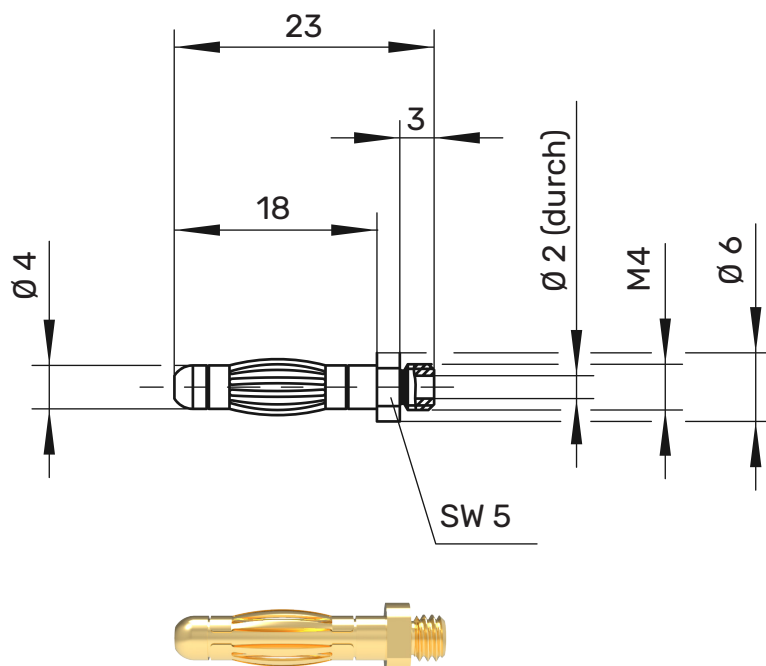
Lamella-basket plug

Ø 4mm

30 V_{AC} / 60V_{DC}

32 A

- 2-sided fastener, width across flats SW 5
- thread M4 x 3
- through-hole Ø 2 mm



General information

Order No.¹⁾

FK 2390 Ni | Au

contact parts

nickel-plated | **gold-plated**

Technical data

transition resistance 3 mΩ (Ni) | 2 mΩ (Au)

rated voltage²⁾ 30 V_{AC} / 60 V_{DC}

rated current²⁾ 32 A

operating temperature from -40 °C to +110 °C

¹⁾ other contact platings and designs on request
²⁾ at normal ambient temperatures

FK 2390

Ni

Au

99001073

99016082