

## FK 2843

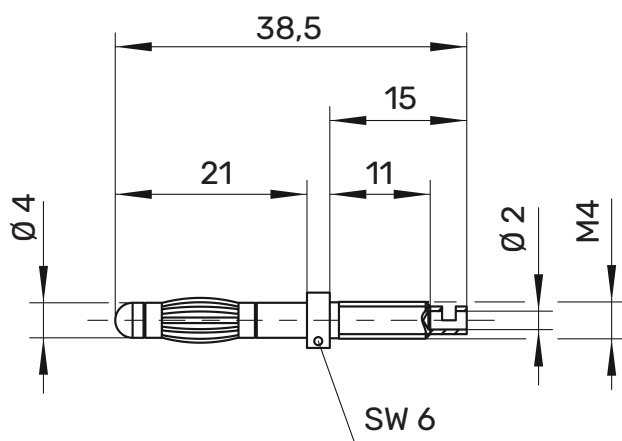
### Lamella-basket plug

Ø 4mm

30 V<sub>AC</sub> / 60V<sub>DC</sub>

25 A

- 4-sided fastener, width across flats SW 6
- thread M4 x 11
- with solder terminal for cables up to 1.5 mm<sup>2</sup>



#### General information

Order No.<sup>1)</sup>

**FK 2843 Ni | Au**

contact parts

nickel-plated | **gold-plated**

#### Technical data

terminal

solder up to 1.5 mm<sup>2</sup>

transition resistance

3 mΩ (Ni) | 2 mΩ (Au)

rated voltage<sup>2)</sup>

30 V<sub>AC</sub> / 60 V<sub>DC</sub>

rated current<sup>2)</sup>

25 A

operating temperature

from -40 °C to +110 °C

<sup>1)</sup> other contact platings and designs on request  
<sup>2)</sup> at normal ambient temperatures

**FK 2843**

Ni

Au

---

99001151

99016084