

FK 3845

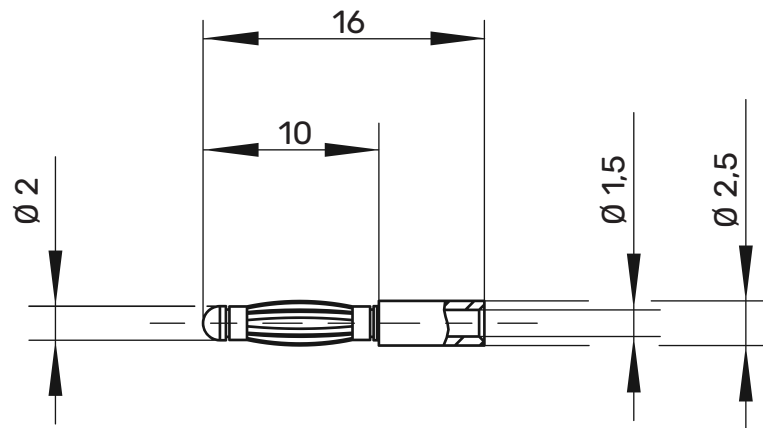
Federkorbstecker

Ø 2mm

30 V_{AC} / 60V_{DC}

10 A

- straight, with crimp terminal for cables 0,5 mm²



General information

| | |
|-------------------------|-------------------|
| Order No. ¹⁾ | FK 3845 Ni |
| contact parts | nickel-plated |

Technical data

| | |
|-----------------------------|---|
| terminal | crimp 0,5 mm ² |
| transition resistance | < 3 mΩ (Ni) |
| rated voltage ²⁾ | 30 V _{AC} / 60 V _{DC} |
| rated current ²⁾ | 10 A |
| operating temperature | from -40 °C to +110 °C |

¹⁾ other contact platings and designs on request
²⁾ at normal ambient temperatures

FK 3845

Ni

99008657