

FK 4912

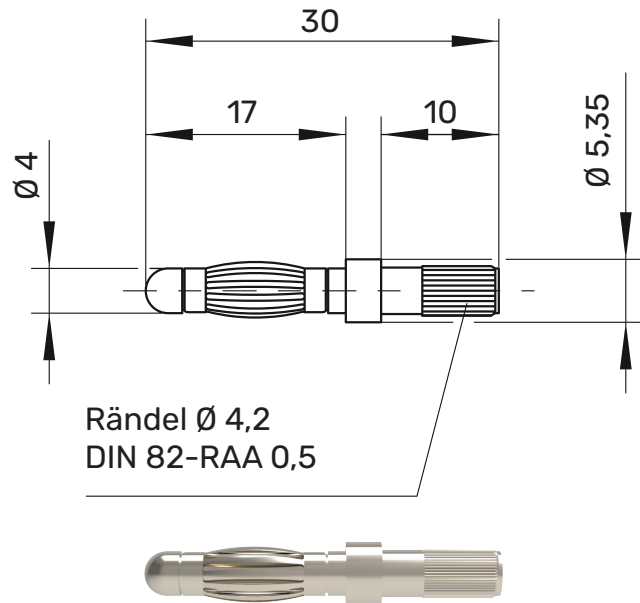
Lamella-basket plug

Ø 4mm

30 V_{AC} / 60V_{DC}

32 A

- for pressing into plastic or metal



General information

Order No. ¹⁾	FK 4912 Ni
contact parts	nickel-plated

Technical data

terminal	press in Ø 4 mm
transition resistance	3 mΩ (Ni)
rated voltage ²⁾	30 V _{AC} / 60 V _{DC}
rated current ²⁾	32 A
operating temperature	from -40 °C to +110 °C

¹⁾ other contact platings and designs on request
²⁾ at normal ambient temperatures

FK 4912

Ni

99010421