



# SFK 7360

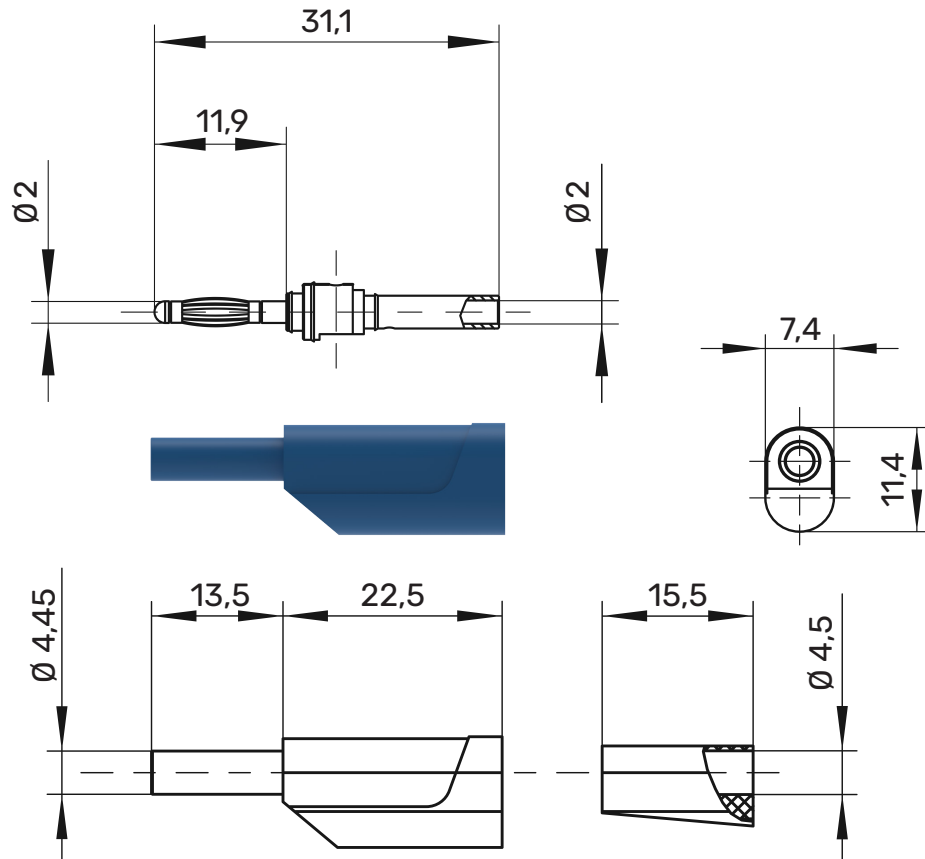
## Safety lamella-basket plug

Ø 2mm Safety

600 V CAT II

10 A

- straight, with solder terminal for cables up to 0.5 mm<sup>2</sup>
- with inline socket
- with sleeve, unassembled



### General information

Order No. <sup>1)</sup>	<b>SFK 7360 L Ni / OK ... (colour)</b>
colour	black, red, blue, yellow, green, grey, brown, white, purple
contact parts	nickel-plated
sleeves	PA 6.6 (Polyamid)

### Technical data

terminal	solder up to 0,5 mm <sup>2</sup>
sleeve for cable	Ø 2,7 mm
for wire cross-section	up to 0,5 mm <sup>2</sup>
for cable diameter	2,7 mm
transition resistance	5 mΩ (Ni)
rated voltage <sup>2)</sup>	600 V CAT II
rated current <sup>2)</sup>	10 A
operating temperature	from -25 °C to +90 °C

<sup>1)</sup> other contact platings, colours and sleeves for other cable diameter on request  
<sup>2)</sup> at normal ambient temperatures

**SFK 7360**

Ni

●	<b>SW</b>	<b>Schwarz</b>	<b>Black</b>	99007793
●	<b>RT</b>	<b>Rot</b>	<b>Red</b>	99015112
●	<b>BL</b>	<b>Blau</b>	<b>Blue</b>	99015105
●	<b>GE</b>	<b>Gelb</b>	<b>Yellow</b>	99015106
●	<b>GN</b>	<b>Grün</b>	<b>Green</b>	99015107
●	<b>GR</b>	<b>Grau</b>	<b>Grey</b>	99015108
●	<b>BR</b>	<b>Braun</b>	<b>Brown</b>	99015109
○	<b>WS</b>	<b>Weiß</b>	<b>White</b>	99015110
●	<b>VI</b>	<b>Violett</b>	<b>Purple</b>	99015111