



## SFK 7997 C

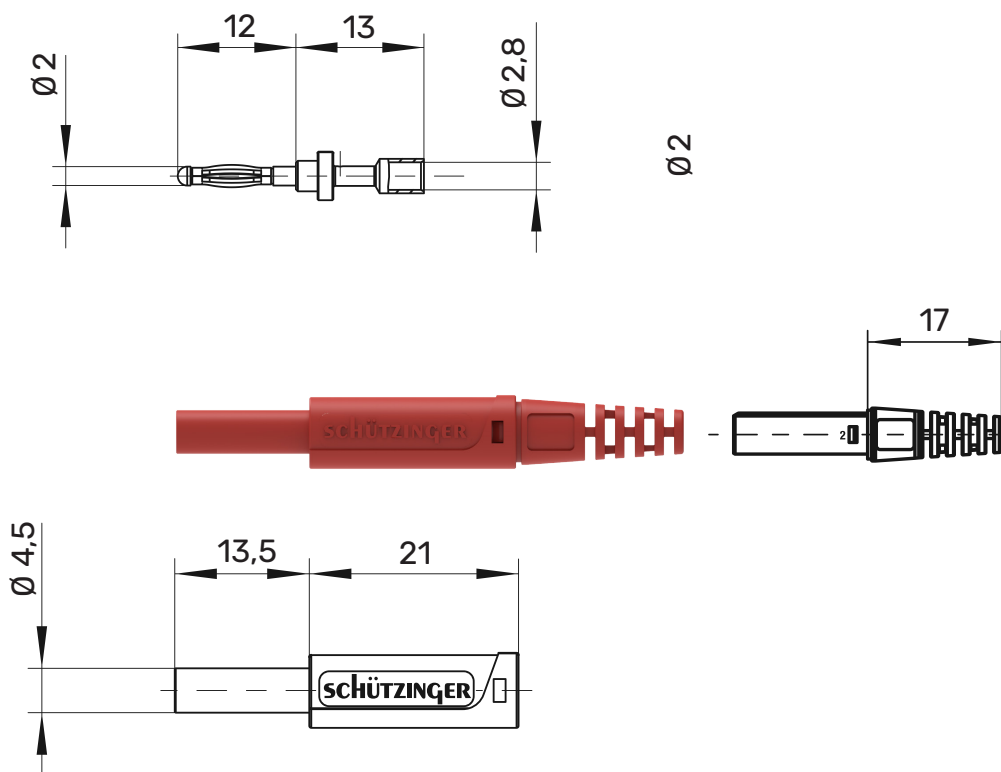
### Safety lamella-basket plug

Ø 2mm Safety

600 V CAT III

10 A

- straight, with crimp terminal for our double-insulated cable 0,5 mm<sup>2</sup>
- with sleeve, unassembled



#### General information

Order No. <sup>1)</sup>	SFK 7997 C Ni   Au /OK/0,5/..(colour)
colours	black, red
contact parts	nickel-plated   gold-plated
sleeves	PA 6.6 (Polyamid) UL94-V2

#### Technical data

terminal	crimp 0,5 mm <sup>2</sup>
sleeve for cable	Ø 2,7 mm
for wire cross-section	up to 0,5 mm <sup>2</sup>
for cable diameter	2,7 mm
transition resistance <sup>4)</sup>	3 mΩ (Ni)   2 mΩ (Au)
rated voltage <sup>2)</sup>	600 V CAT III
rated current <sup>2)</sup>	10 A
operating temperature	from -25 °C to +80 °C

<sup>1)</sup> other contact platings and colours on request

<sup>2)</sup> at normal ambient temperatures

<sup>4)</sup> depending on contact plating

**SFK 7997 C**

Ni

Au

---

●	SW	Schwarz	Black	99017115	99023297
●	RT	Rot	Red	99018541	99018407

---