

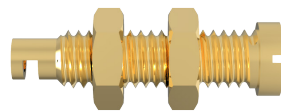
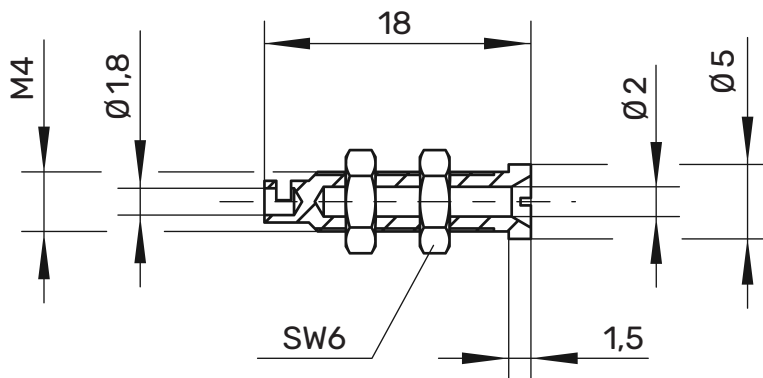
BU 20 Sockets

Ø 2mm

30 V_{AC} / 60 V_{DC}

10 A

- not insulated
- hole Ø 4.1 mm



General information

Order No. ¹⁾	BU 20 Ni Au
sleeves	nickel-plated gold-plated

Technical data

terminal	solder up to 0.75 mm ²
transition resistance ⁴⁾	3 mΩ (Ni) / 2 mΩ (Au)
rated voltage ²⁾	30 V _{AC} / 60 V _{DC}
rated current ²⁾	10 A
operating temperature	from -40 °C to +110 °C

¹⁾ other contact platings and colours on request
²⁾ at normal ambient temperatures
⁴⁾ depending on contact plating

BU 20

Ni

Au

99016691

99011591