



BU 403

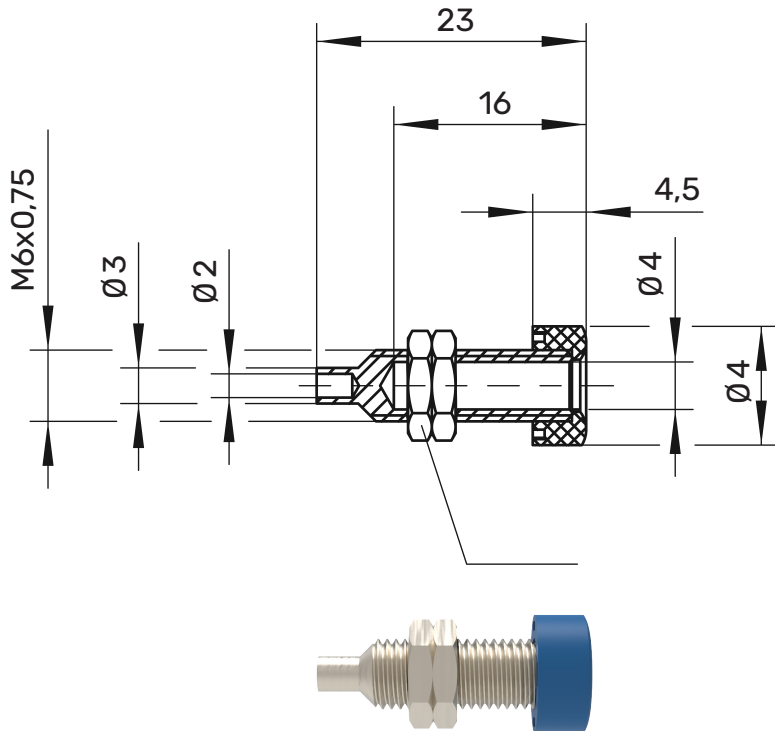
Socket

Ø 4mm

30 V_{AC} / 60 V_{DC}

32 A

- with screwed insulated head
- hole Ø 6.1 mm
- or fixture in panels from 1.5 mm up to 8 mm thick



General information

| | |
|-------------------------|--|
| Order No. ¹⁾ | BU 403 Ni / ..(colour) |
| colours | black, red, blue, yellow, green, white |
| contact parts | vernickelt |
| insulation | ABS |

Technical data

| | |
|-----------------------------|--|
| terminal | solder terminal, solder lug or cable lug |
| transition resistance | 10 mΩ (Ni) |
| rated voltage ²⁾ | 30 V _{AC} / 60 V _{DC} |
| rated current ²⁾ | 32 A |
| operating temperature | from -25 °C to +90 °C |
| max. torque | 60 Ncm |
| fastening nut | |

¹⁾ other contact platings, colours and designs on request
²⁾ at normal ambient temperatures

BU 403

Ni

| | | | | |
|---|-----------|----------------|---------------|----------|
| ● | SW | Schwarz | Black | 99000502 |
| ● | RT | Rot | Red | 99000500 |
| ● | BL | Blau | Blue | 99000496 |
| ● | GE | Gelb | Yellow | 99000498 |
| ● | GN | Grün | Green | 99000499 |
| ○ | WS | Weiß | White | 99000503 |