

BU 405

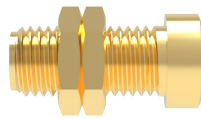
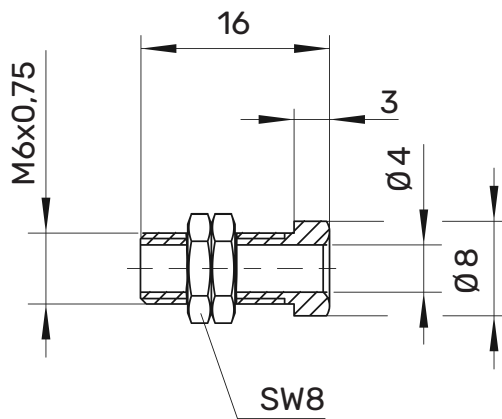
Socket

Ø 4mm

30 V_{AC} / 60 V_{DC}

32 A

- not insulated
- hole Ø 6.1 mm
- for fixture in panels from 1.5 mm up to 8 mm thick



General information

Order No. ¹⁾	BU 405 Ni Au
contact parts	nickel-plated gold-plated

Technical data

terminal	solder lug or cable lug
transition resistance	10 mΩ (Ni) / 3 mΩ (Au)
rated voltage ²⁾	30 V _{AC} / 60 V _{DC}
rated current ²⁾	32 A
operating temperature	from -40 °C to +110 °C
max. torque	150 Ncm
fastening nut	

¹⁾ other contact platings on request
²⁾ at normal ambient temperatures

BU 405

Ni

Au

99000511

99011619