

BU 4275

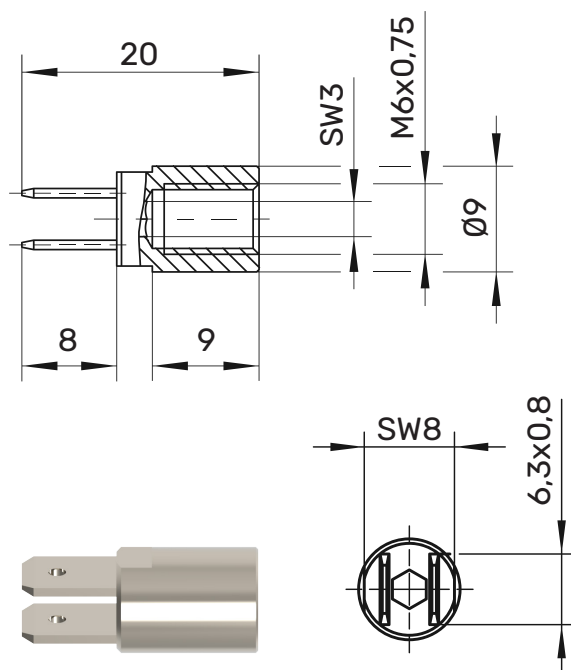
Socket

Ø 4mm

30 V_{AC} / 60 V_{DC}

32 A

- not insulated
- accessory to products BU 405 Ni, SDK 503, SDK 504, SDK 800, SDK 801, SDK 5230
- 2x tab: 6.3 mm x 0.8 mm



General information

Order No. ¹⁾

BU 4275 Ni /-1

contact parts

nickel-plated

Technical data

terminal	2x FSH 6,3 mm x 0,8 mm
transition resistance	10 mΩ (Ni)
rated voltage ²⁾	30 V _{AC} / 60 V _{DC}
rated current ²⁾	32 A
operating temperature	from -40 °C to +110 °C

¹⁾ other contact platings on request
²⁾ at normal ambient temperatures

BU 4275

Ni

99009745