

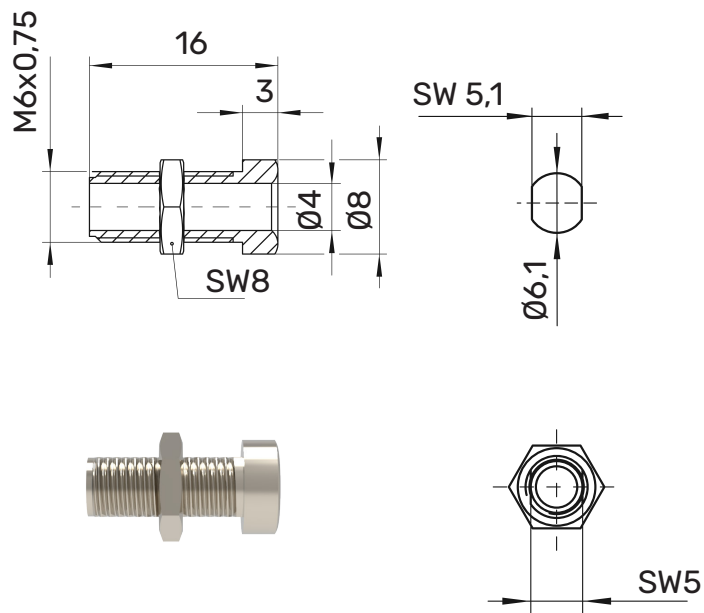
BU 8720 Einbaubuchse

Ø 4mm

30 V_{AC} / 60 V_{DC}

32 A

- not insulated
- 2-sided fastener, width across flats SW 5
- thread M6 x 0.75, length 20
- hole Ø 6.1 mm with width across flats SW 5,1
- for fixture in panels from 1.5 mm up to 8 mm thick



General information

Order No ¹⁾	BU 8720 Ni
contact parts	nickel-plated

Technical data

terminal	solder lug or cable lug
transition resistance	10 mΩ (Ni)
rated voltage ²⁾	30 V _{AC} / 60 V _{DC}
rated current ²⁾	32 A
operating temperature	from -40 °C to +110 °C

¹⁾ other contact platings on request
²⁾ at normal ambient temperatures

BU 8720

Ni

99019070