



IBU 401

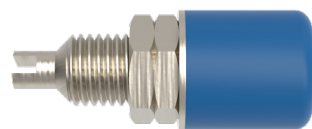
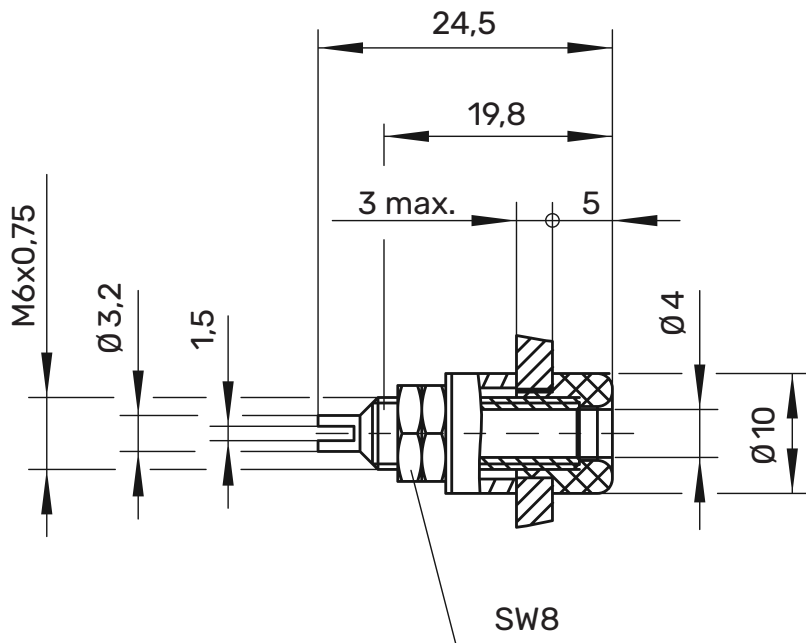
Socket

Ø 4mm

30 V_{AC} / 60 V_{DC}

32 A

- for insulated fixture
- with screwed insulated head
- hole Ø 7.5 mm
- for fixture in panels up to 3 mm thick



General information

| | |
|-------------------------|--|
| Order No. ¹⁾ | IBU 401 Ni ..(colour) |
| colours | black, red, blue, yellow, green, grey, white |
| contact parts | nickel-plated |
| insulation | PA 6.6 (Polyamid) |

Technische Daten

| | |
|-----------------------------|--|
| terminal | solder terminal, solder lug or cable lug |
| transition resistance | 10 mΩ (Ni) |
| rated voltage ²⁾ | 30 V _{AC} / 60 V _{DC} |
| rated current ²⁾ | 32 A |
| operating temperature | from -25 °C to +80 °C |
| max. torque | 60 Ncm |
| fastening nut | |

¹⁾ other contact platings, colours and designs on request
²⁾ at normal ambient temperatures

IBU 401

Ni

| | | | | |
|---|----|---------|--------|----------|
| ● | SW | Schwarz | Black | 99001919 |
| ● | RT | Rot | Red | 99001916 |
| ● | BL | Blau | Blue | 99001905 |
| ● | GE | Gelb | Yellow | 99001908 |
| ● | GN | Grün | Green | 99001912 |
| ● | GR | Grau | Grey | 99010380 |
| ○ | WS | Weiß | White | 99001923 |