



IBU 2011

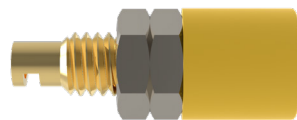
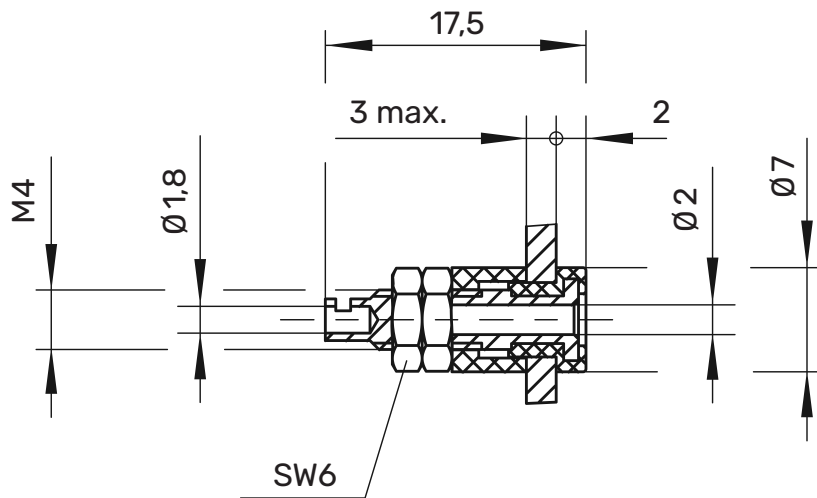
Socket

Ø 2mm

30 V_{AC} / 60 V_{DC}

10 A

- for insulated fixture
- with moulded head
- hole Ø 5.1 mm



General information

Order No. ¹⁾	IBU 2011 Ni Au...(colour)
colour	black, red, blue, yellow, green, grey, white
contact parts	nickel-plated gold-plated
insulation	PA 6.6 (GF 30)

Technical data

terminal	solder up to 0.75 mm ²
transition resistance ⁴⁾	5 mΩ (Ni) / 3 mΩ (Au)
rated voltage ²⁾	30 V _{AC} / 60 V _{DC}
rated current ²⁾	10 A
operating temperature	from -25 °C to +90 °C
max. torque	60 Ncm
fastening nut	

¹⁾ other contact platings and colours on request
²⁾ at normal ambient temperatures
⁴⁾ depending on contact plating

IBU 2011

Ni

Au

●	SW	Schwarz	Black	99001834	99001846
●	RT	Rot	Red	99010693	99001844
●	BL	Blau	Blue	99001829	99001836
●	GE	Gelb	Yellow	990018300	99001838
●	GN	Grün	Green	99001831	99001840
●	GR	Grau	Grey	99001832	99001842
○	WS	Weiß	White	99001835	