



IBU 5568

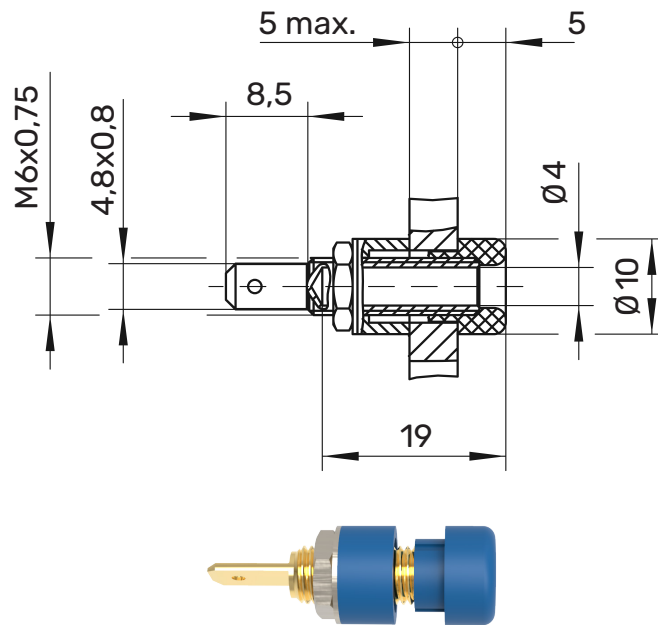
Socket

Ø 4mm

30 V_{AC} / 60 V_{DC}

32 A

- for insulated fixture
- with screwed insulated head
- hole Ø 7.5 mm
- tab can be bent up to 90° once
- zum Einbauen in Frontplatten bis 5 mm Dicke
- for fixture in panels up to 5 mm thick
- tab 4.8 mm x 0.8 mm



General information

Order No. ¹⁾	IBU 5568 Ni Au / ..(colour)
colours	black, red, blue, yellow, green, grey, white
contact parts	nickel-plated gold-plated
insulation	PA 6.6 (Polyamid)

Technical data

terminal	cable lug, FR 4.8 x 0.8 mm
transition resistance ⁴⁾	5 mΩ (Ni) 3 mΩ (Au)
rated voltage ²⁾	30 V _{AC} / 60 V _{DC}
rated current ²⁾	32 A
operating temperature	from -25 °C to +80 °C
max. torque	60 Ncm
fastening nut	

¹⁾ other contact platings, colours and designs on request
²⁾ at normal ambient temperatures
⁴⁾ depending on contact plating

IBU 5568

Ni

Au

●	SW	Schwarz	Black	99010859	99015163
●	RT	Rot	Red	99010860	99015164
●	BL	Blau	Blue	99010862	99017844
●	GE	Gelb	Yellow	99010863	99021685
●	GN	Grün	Green	99010864	99021688
●	GR	Grau	Grey	99010940	99021689
○	WS	Weiß	White	99010861	99021690