



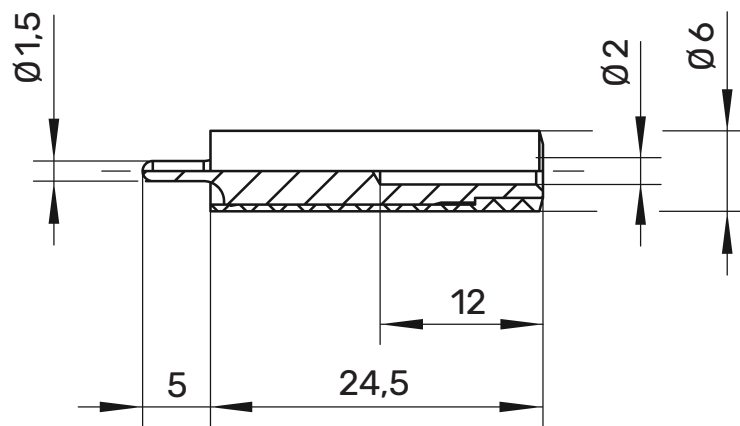
LB 2-1,5 Laboratory socket

Ø 2mm

30 V_{AC} / 60 V_{DC}

10 A

- suitable to install a permanent measuring point with a socket. For that the pin is screwed under, clamped under or soldered on a printed circuit board.
- pin length 5 mm



General information

Order No. ¹⁾	LB 2-1,5 Ni Au / 5 ... (colour)
colours	black, red, blue, yellow, green, grey, brown, white, purple
contact parts	nickel-plated gold-plated
insulation	6.6 (UV94-V2)

Technical data

terminal	pin
transition resistance ⁴⁾	6 mΩ (Ni) / 3 mΩ (Au)
rated voltage ²⁾	30 V _{AC} / 60 V _{DC}
rated current ²⁾	10 A
operating temperature	from -25 °C to +80 °C

¹⁾ other contact platings, colours and designs on request
²⁾ at normal ambient temperatures
⁴⁾ depending on contact plating

LB 2-1,5

Ni

Au

●	SW	Schwarz	Black	99002367	99016093
●	RT	Rot	Red	99002366	99016094
●	BL	Blau	Blue	99002365	99016095
●	GE	Gelb	Yellow	99009948	99016097
●	GN	Grün	Green	99016088	99016098
●	GR	Grau	Grey	99016089	99016099
●	BR	Braun	Brown	99016090	99016096
○	WS	Weiß	White	99016091	99016101
●	VI	Violett	Purple	99016092	99016100