



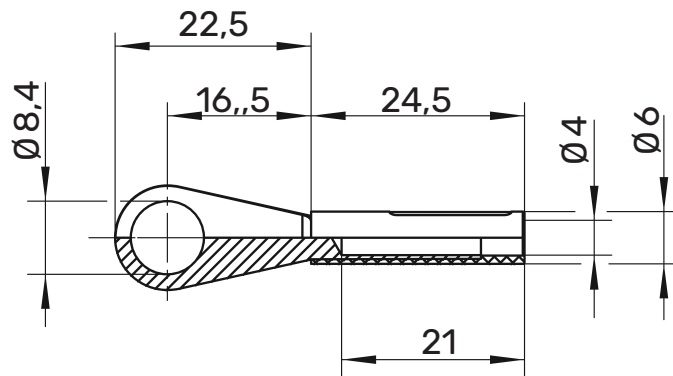
LB 4-RKS Laboratory socket

Ø 4mm

30 V_{AC} / 60 V_{DC}

32 A

- with ring lug for permanent connection of screw-type terminal M8
- ring lug can be bent up to 90° once



General information

Order No. ¹⁾	LB 4-RKS Ni Sn / 8,4 / ... (colour)
colours	black, red, blue, yellow, green, grey, brown, white, purple
contact parts	nickel-plated tin-plated
insulation	PA 6.6 (UV94-V2)

Technical data

terminal	ring lug
rated voltage ²⁾	30 V _{AC} / 60 V _{DC}
rated current ²⁾	32 A
operating temperature	from -40 °C to +80 °C

¹⁾ other contact platings, colours and terminals on request
²⁾ at normal ambient temperatures

LB 4-RKS/...8,4				Ni	Sn
●	SW	Schwarz	Black	99018510	99016893
●	RT	Rot	Red	99018387	99016894
●	BL	Blau	Blue	99016563	99018388
●	GE	Gelb	Yellow	99018385	99018389
●	GN	Grün	Green	99018386	99018390
●	GR	Grau	Grey		
●	BR	Braun	Brown		
○	WS	Weiß	White		
●	VI	Violett	Purple		