



SEB 3402

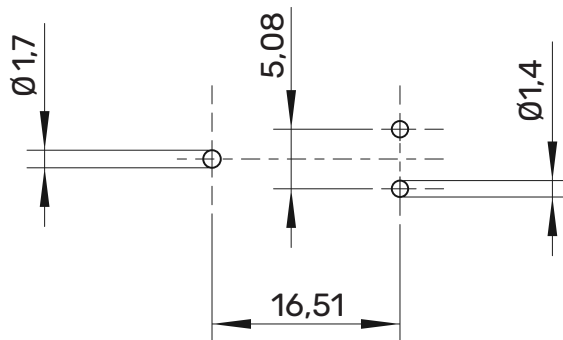
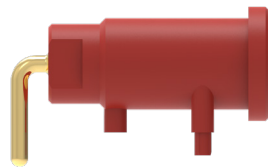
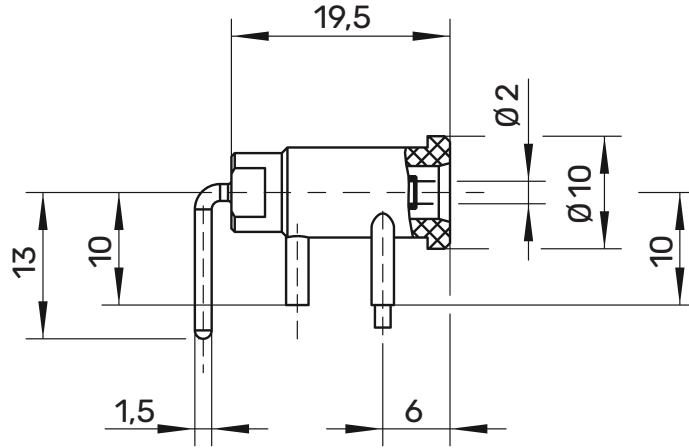
Safety threaded socket

Ø 2mm Safety

600 V CAT III

10 A

- for fixture in panels



General information

Order No. ¹⁾	SEB 3402 Ni Au /10 ..(colour)
colours	black, red
contact parts	nickel-plated gold-plated
insulation	PA 6.6 (UV94-V2)

Technical data

terminal	solder
transition resistance	7 mΩ (Ni) 5 mΩ (Au)
rated voltage ²⁾	600 V CAT III
rated current ²⁾	10 A
operating temperature	from -25 °C to +80 °C

¹⁾ other contact platings, colours, terminals and pin lengths on request
²⁾ at normal ambient temperatures

SEB 3402/...10

Ni

Au

●	SW	Schwarz	Black	99008473	99008475
●	RT	Rot	Red	99008474	99008476
