



SKU 7035

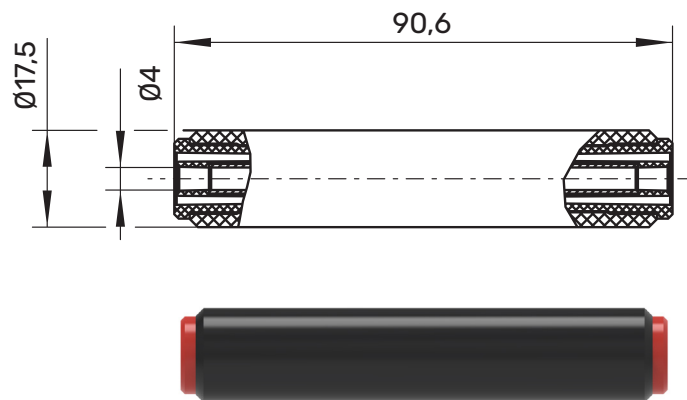
Safety double coupler

Ø 4 mm Sicherheit

1000 V CAT IV

10 A

- to connect Ø 4 mm safety system to Ø 4 mm safety system



General information

Order No. ¹⁾ **SKU 7035 Ni /... (colour)**

colours black, red

contact parts nickel-plated

insulation Polyamid + PVC

Technical data

terminal safety socket

transition resistance 9 mΩ (Ni)

rated voltage ²⁾ 1000 V CAT IV

rated current ²⁾ 10 A

operating temperature from -25 °C to +80 °C

¹⁾ other colours on request
²⁾ at normal ambient temperatures

SKU 7035

Ni

●	SW	Schwarz	Black	99014014
●	RT	Rot	Red	99014015
