

KURZ 10-2 IG MB

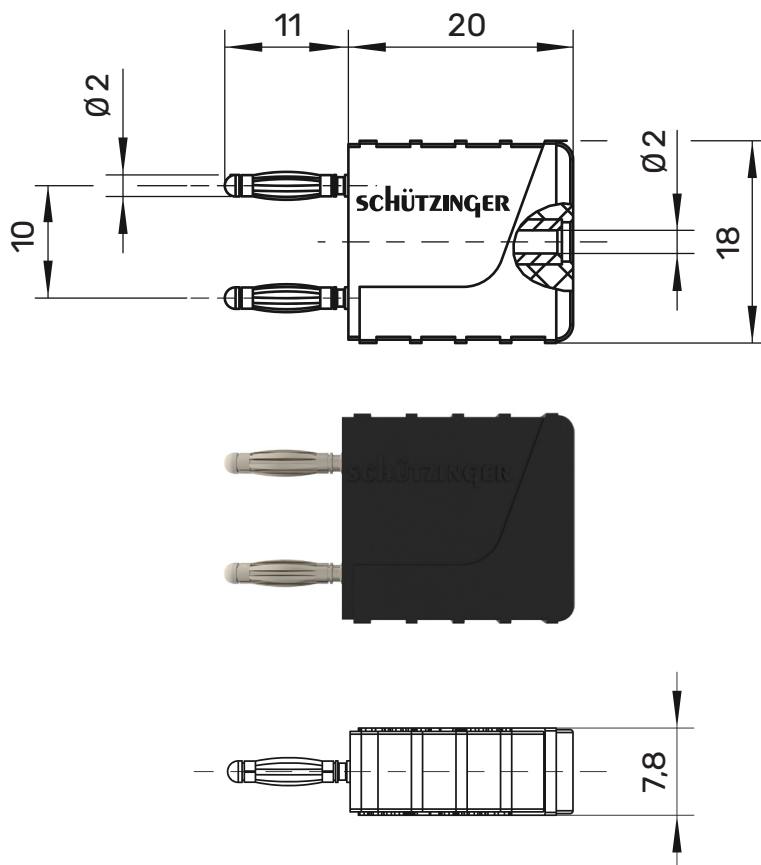
Connecting plug

2 mm

30 V_{AC} / 60 V_{DC}

12 A

- moulded insulation
- with rear socket Ø 2 mm
- also available with plug spacing 12 mm (KURZ 12-2 IG MB Ni / ..(colour))



General information

Order No ¹⁾	KURZ 10-2 IG MB Ni ...(colour)
colours	black
contact parts	nickel-plated
insulation	PA6.6 (UL94-V2)

Technical data

terminal	rear socket
transition resistance	3 mΩ (Ni)
rated voltage ²⁾	30 V _{AC} / 60 V _{DC}
rated current ²⁾	12 A
operating temperature	from -25 °C to +80 °C

¹⁾ other contact platings and colours on request
²⁾ at normal ambient temperatures

KURZ 10-2 IG MB

Ni

● SW Schwarz Black

99002288