



SAK 6715

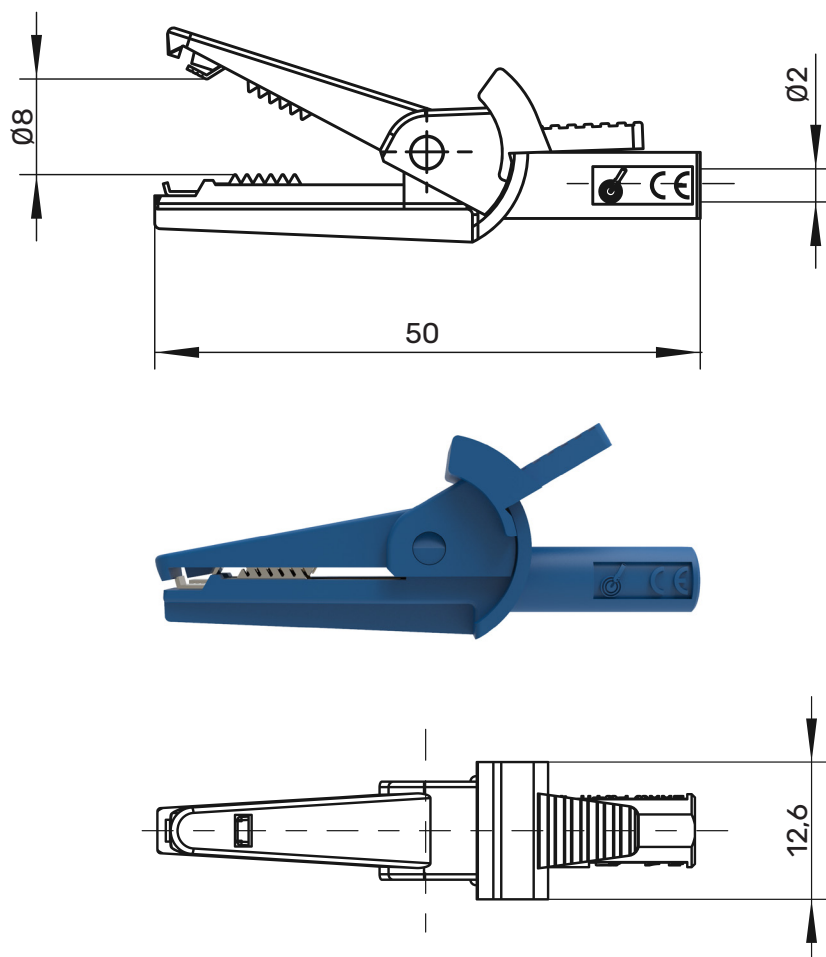
Safety crocodile clip

Ø 2 mm safety

600 V CAT II

10 A

- insulated
- socket Ø 2 mm
- contact: crocodile jaws



General information

Order No.. ¹⁾	SAK 6715 Ni
colours	black, red, blue, yellow, green, white
contact parts	nickel-plated
insulation	PA 6.6 (Polyamid)

Technical data

terminal	safety socket
grips up to	Ø 8 mm
transition resistance	15 mΩ (Ni)
rated voltage ²⁾	600 V CAT II
rated current ²⁾	10 A
operating temperature	from -25 °C to +80 °C

¹⁾ other colours on request
²⁾ at normal ambient temperatures

SAK 6715

Ni

●	SW	Schwarz	Black	99013313
●	RT	Rot	Red	99013314
●	BL	Blau	Blue	99013473
●	GE	Gelb	Yellow	99013474
●	GN	Grün	Green	99013475
○	WS	Weiß	White	99013476