



BRBU 7924 L

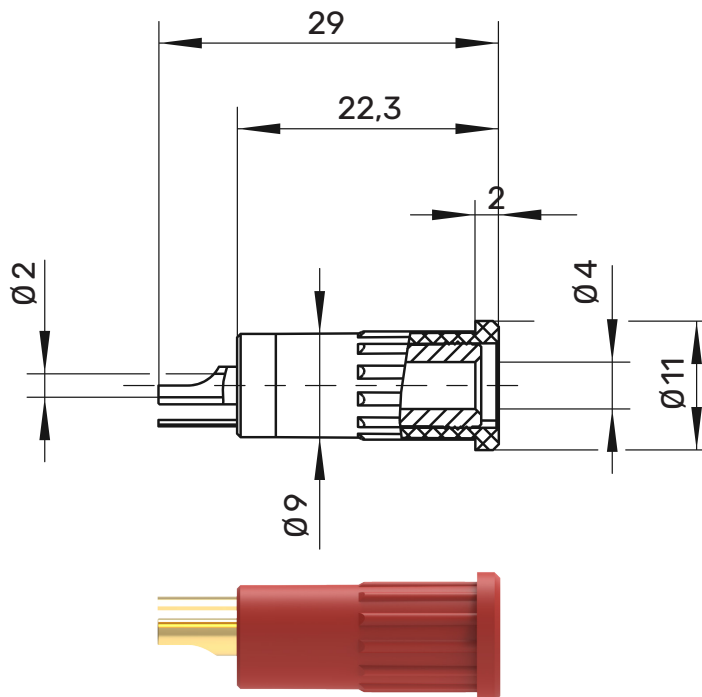
Connecting sockets

Ø 4mm

30 V_{AC} / 60 V_{DC}

16 A

- or pressing into panels up to 6 mm thick
- location hole Ø 9.2 mm, countersunk one-sided (approx. 0.5 x 45°)
- panel thickness:
metal panels: ≥ 1 mm,
plastic panels: ≥ 2 mm
- fixture using special tool MWZ 13
- for our connecting plug
BRST 7922 Ni / ..(colour)



MA 015



General information

Order No. ¹⁾	BRBU 7924 L Ni Au / ..(colour)
colours	black, red
contact-parts	nickel-plated gold-plated
sleeves	PA6.6 (UL94-V2)

Technical data

terminal	solder
transition resistance	7 mΩ (Ni) / 5 mΩ (Au)
rated voltage ²⁾	30 V _{AC} / 60 V _{DC}
rated current ²⁾	16 A
operating temperature	from -25 °C to +80 °C

¹⁾ other contact platings, colours and terminals on request
²⁾ at normal ambient temperatures

BRBU 7924 L

Ni

Au

●	SW	Schwarz	Black	99016691	99016692
●	RT	Rot	Red	99018332	99019500
