



BU 2242 S

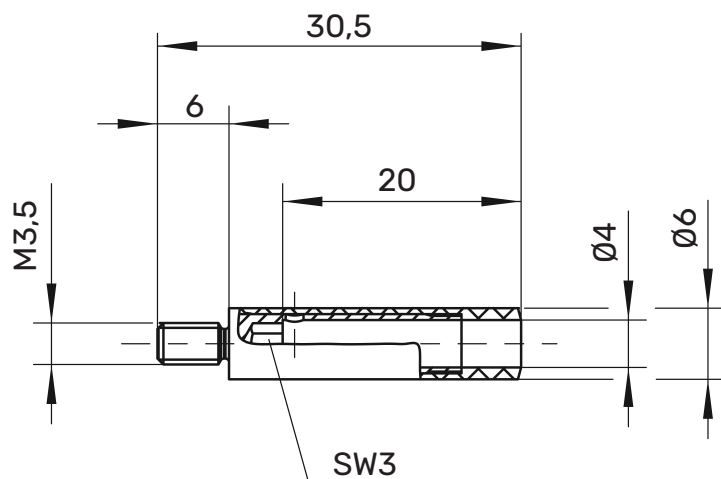
Socket

Ø 4mm Sicherheit

1000 V CAT II

32 A

- with internal hexagon for 3 mm allen key to assist tightening
- safety lamella-basket plugs with rigid sleeve can be used



! WH 002



General information

Order No. ¹⁾	BU 2242 S Ni / ..(colour)
colours	black, red, blue, yellow, green, white
contact parts	nickel-plated
sleeves	PA6.6 (UL94-V2)

Technical data

terminal	M3,5x6
transition resistance	10 mΩ (Ni)
rated voltage ²⁾	1000 V CAT II
rated current ²⁾	32 A
operating temperature	from -25 °C to +80 °C
max. torque	85 Ncm
fastening nut	

¹⁾ other contact platings, colours and designs on request

²⁾ at normal ambient temperatures

BU 2242 S

Ni

●	SW	Schwarz	Black	99000468
●	RT	Rot	Red	99000467
●	BL	Blau	Blue	99000466
●	GE	Gelb	Yellow	99018404
●	GN	Grün	Green	99013050
○	WS	Weiß	White	99013051