



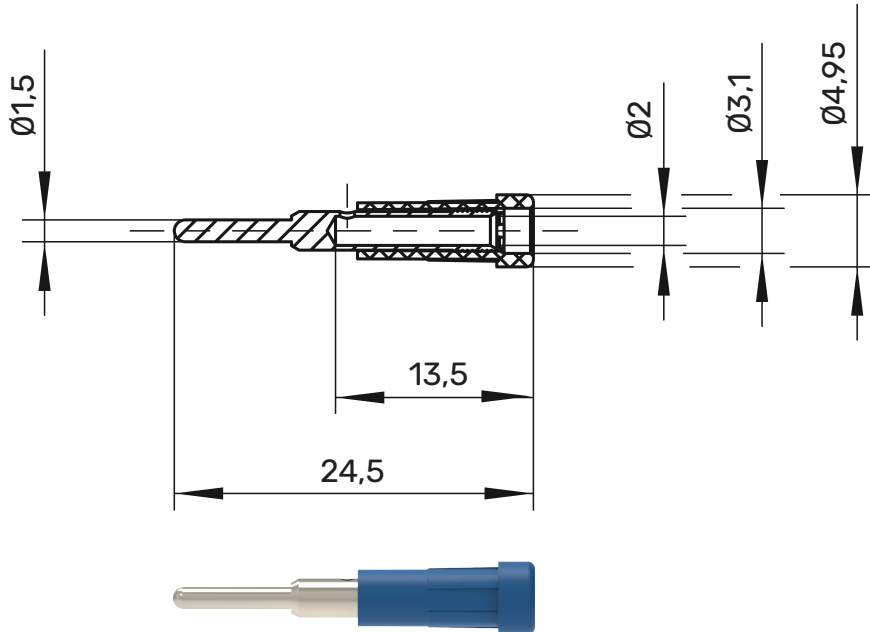
EPB 6053 Press-in socket

Ø 2mm

30 V_{AC} / 60 V_{DC}

10 A

- for pressing into panels up to 4 mm thick
- fixture using press-in tool WKZ EPB2, see chapter accessories
- hole Ø 3.9 mm



! WH 002



General information

Order No. ¹⁾	EPB 6053 Ni / ..(Farbe)
Farben	black, red, blue, yellow, green, grey, brown, white, purple
contact parts	nickel-plated
insulation	PA6.6 (UL94-V2)

Technical data

terminal	Pin
transition resistance	2 mΩ (Ni)
rated voltage ²⁾	30 V _{AC} / 60 V _{DC}
rated current ²⁾	10 A
operating temperature	from -40 °C to +110 °C

¹⁾ other contact platings and colours on request
²⁾ at normal ambient temperatures

EPB 6053

Ni

●	SW	Schwarz	Black	99013362
●	RT	Rot	Red	99014075
●	BL	Blau	Blue	99014076
●	GE	Gelb	Yellow	99014077
●	GN	Grün	Green	99014078
●	BR	Braun	Brown	99016107
●	GR	Grau	Grey	99016106
●	VI	Violett	Purple	99016109
○	WS	Weiß	White	99016108