



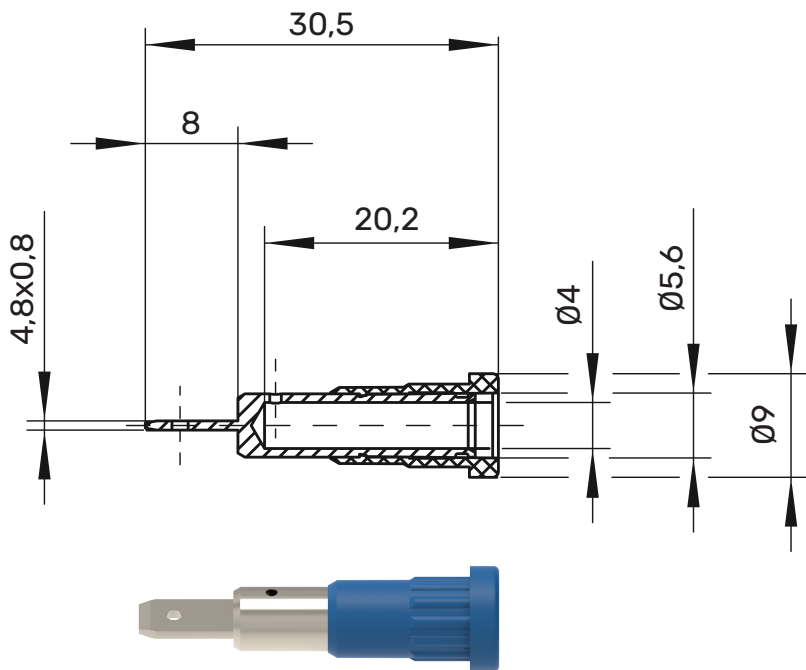
## EPB 6792 Press-in socket

Ø 4mm

30 V<sub>AC</sub> / 60 V<sub>DC</sub>

24 A

- for pressing into panels up to 6 mm thick hole Ø 6.8
- tab 4.8 mm x 0.8 mm
- fixture using press-in tool WKZ EPB4, see chapter accessories
- tab 4.8 mm x 0.8 mm



MA 003



### General information

Order No. <sup>1)</sup>	EPB 6792 Ni / FST 4.8x0.8 / ..(colour)
colours	black, red, blue, yellow, green, grey, brown, white, purple
contact parts	nickel-plated
insulation	PA6.6 (UL94-V2)

### Technical data

terminal	FSH 4,8 mm x 0,8 mm
transition resistance	4 mΩ (Ni)
rated voltage <sup>2)</sup>	30 V <sub>AC</sub> / 60 V <sub>DC</sub>
rated current <sup>2)</sup>	24 A
operating temperature	from -40 °C to +110 °C

<sup>1)</sup> other contact platings, colours and designs on request  
<sup>2)</sup> at normal ambient temperatures

**EPB 6792**

Ni

●	<b>SW</b>	<b>Schwarz</b>	<b>Black</b>	99013554
●	<b>RT</b>	<b>Rot</b>	<b>Red</b>	99014083
●	<b>BL</b>	<b>Blau</b>	<b>Blue</b>	99014084
●	<b>GE</b>	<b>Gelb</b>	<b>Yellow</b>	99014085
●	<b>GN</b>	<b>Grün</b>	<b>Green</b>	99014086
●	<b>BR</b>	<b>Braun</b>	<b>Brown</b>	99014568
●	<b>GR</b>	<b>Grau</b>	<b>Grey</b>	99014567
●	<b>VI</b>	<b>Violett</b>	<b>Purple</b>	99014570
○	<b>WS</b>	<b>Weiß</b>	<b>White</b>	99014569