



## HSEB 3125 L

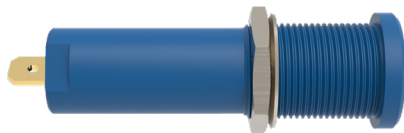
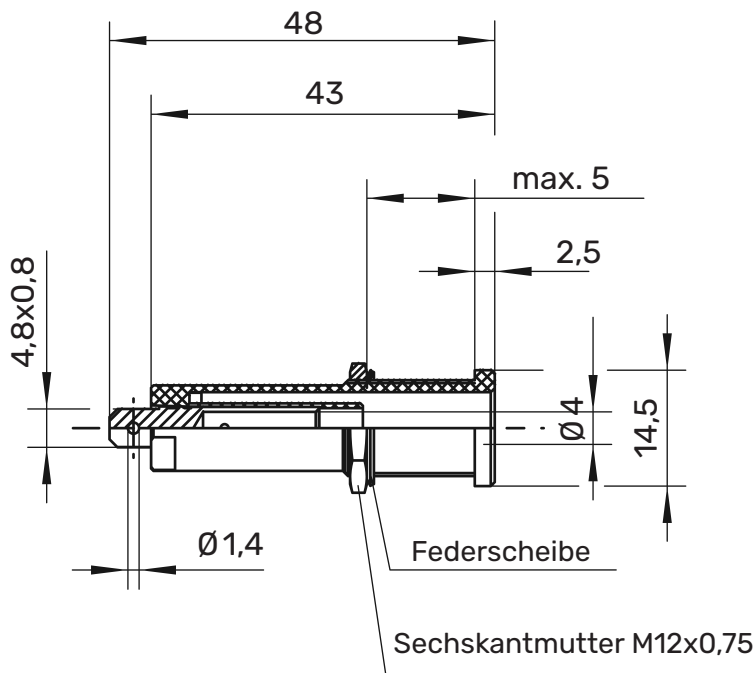
### High voltage safety threaded socket

Ø 4mm Sicherheit

1.000 V CAT IV

16 A

- for fixture in panels up to 5 mm thick at max. 5.000 V
- fixed by: hexagon nut M12 x 0.75 and spring washer
- hole Ø 12.2+0.1 mm
- fixture using special tools MWZ 8 and open-end spanner SW14
- fits to our high voltage safety test lead HSPL 8568 / AWG 16 / ..(length) / ..(colour)
- fastening nut (hexagon nut) M12 x 0.75



! WH 042



MA 001



### General information

Order No. <sup>1)</sup>	HSEB 3125 L Ni   Au / ..(colour)
colour	black, red, blue, yellow, green
contact parts	nickel-plated   gold-plated
Griffhülsen	PA6.6 (UL94-V2)

### Technical data

terminal	FR 4.8 mm x 0.8 mm or solder
transition resistance <sup>4)</sup>	5 mΩ (Ni)   3 mΩ (Au)
rated voltage <sup>2)9)</sup>	1.000 V CAT IV, max. 5000 V
rated current <sup>2)</sup>	16 A
operating temperature	from -25 °C to +80 °C
max. torque	45 Ncm
hexagon nut	SCHÜTZINGER

<sup>1)</sup> other contact platings, colours and terminals on request

<sup>2)</sup> at normal ambient temperatures

<sup>4)</sup> depending on contact plating

<sup>9)</sup> output voltage (AC resp. DC) of test instruments. Depending on appliance of the socket (see drawing)

**HSEB 3125 L**

Ni

Au

●	SW	Schwarz	Black	99015600	99008302
●	RT	Rot	Red	99015601	99015568
●	BL	Blau	Blue	99015602	99015569
●	GE	Gelb	Yellow	99015603	99015570
●	GN	Grün	Green	99015604	99015571