



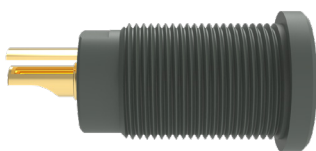
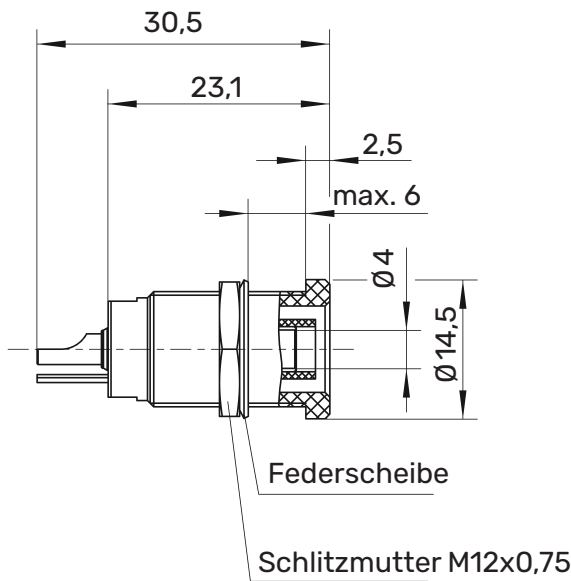
KBU 7792 L Kelvin threaded socket

Kelvin

30 V_{AC} / 60 V_{DC}

10 A

- for fixture in panels up to 6 mm thick
- this kelvin threaded socket has been especially developed for four-wire measurement
- fixed by: hexagon nut M12 x 0.75 and spring washer
- for our kelvin measuring leads
KML 7848 Au / PZ / 150 / ..(colour) and
KML 7852 Au / SAK / 150 / ..(colour)
- hole \varnothing 12.2+0.1 mm
- fixture using open-end spanner SW 10 and SW 14
- fastening nut (hexagon nut) M12 x 0.75



MA 014



General information

| | |
|-------------------------|-----------------------------------|
| Order No. ¹⁾ | KBU 7992 L Au / ..(colour) |
| colour | schwarz, rot |
| contact parts | gold-plated |
| insulation | PA 6.6 (UL94 - V2) |

Technical data

| | |
|-----------------------------|---|
| terminal | solder |
| transition resistance | 5 m Ω (Au) |
| rated voltage ²⁾ | 30 V _{AC} / 60 V _{DC} |
| rated current ²⁾ | 10 A |
| operating temperature | from -25 °C to +80 °C |
| max. torque | 45 Ncm |
| hexagon nut | SCHÜTZINGER |

¹⁾ other contact platings, colours and terminals on request
²⁾ at normal ambient temperatures

KBU 7992 L

Au

| | | | | |
|---|----|---------|-------|----------|
| ● | SW | Schwarz | Black | 99016937 |
| ● | RT | Rot | Red | 99016938 |
