



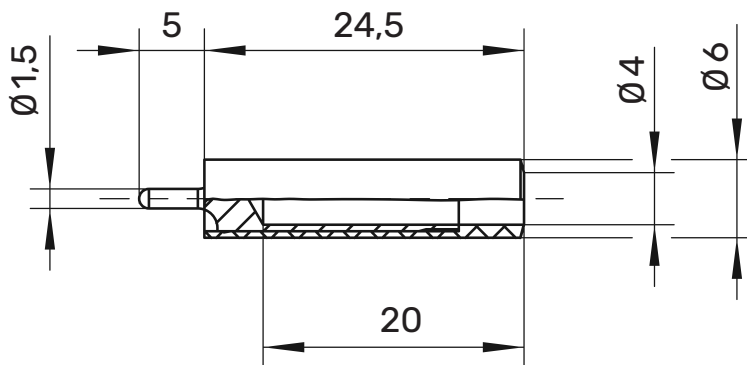
LB 4-1,5 S /...5 Laboratory socket

Ø 4mm-Safety

1000 V CAT II

20 A

- suitable to install a permanent measuring point with a socket. For that the pin is screwed under, clamped under or soldered on a printed circuit board
- pin length 5 mm



! WH 001



General information

Order No. ¹⁾	LB 4-1,5 S Ni Au /5 ... (colour)
colours	black, red, blue, yellow, green, grey, brown, white, purple
contact parts	nickel-plated gold-plated
insulation	PA 6.6 (UV94-2)

Technical data

terminal	Stift
transition resistance	10 mΩ (Ni) / 5 mΩ (Au)
rated voltage ²⁾	1000 V CAT II
rated current ²⁾	20 A
operating temperature	from -25 °C to +80 °C

¹⁾ other contact platings, colours and designs on request
²⁾ at normal ambient temperatures

LB 4-1,5 S/...5				Ni	Au
●	SW	Schwarz	Black	99002383	99002394
●	RT	Rot	Red	99010722	99002393
●	BL	Blau	Blue	99002381	99002392
●	GE	Gelb	Yellow	99010054	99008701
●	GN	Grün	Green	99014827	99018498
●	GR	Grau	Grey	99014823	99022364
●	BR	Braun	Brown	99014826	
○	WS	Weiß	White	99011760	
●	VI	Violett	Purple	99014825	