



## LB 4-1,5 S /...13,5

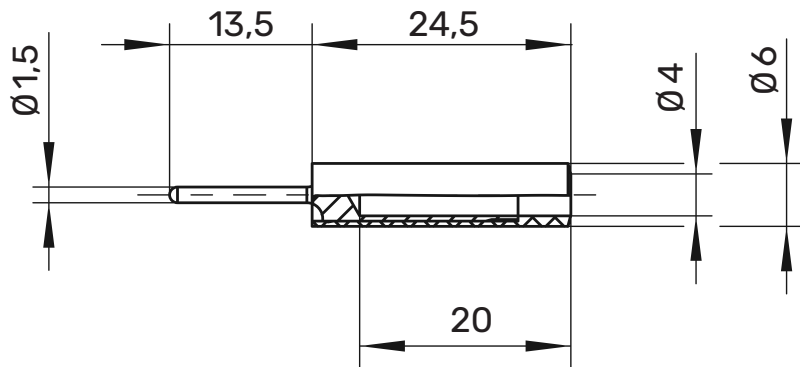
### Laboratory socket

Ø 4mm-Safety

1000 V CAT II

20 A

- suitable to install a permanent measuring point with a socket. For that the pin is screwed under, clamped under or soldered on a printed circuit board
- pin length 13.5 mm



! WH 001



#### General information

Order No. <sup>1)</sup>	LB 4-1,5 S Ni   Au /13,5 ... (colour)
colours	black, red, blue, yellow, green, grey, brown, white, purple
contact parts	nickel-plated   gold-plated
insulation	PA 6.6 (UV94-2)

#### Technical data

terminal	pin
transition resistance	10 mΩ (Ni) / 5 mΩ (Au)
rated voltage <sup>2)</sup>	1000 V CAT II
rated current <sup>2)</sup>	20 A
operating temperature	from -25 °C to +80 °C

<sup>1)</sup> other contact platings, colours and designs on request  
<sup>2)</sup> at normal ambient temperatures

**LB 4-1,5 S/..13,5**

**Ni**

**Au**

	<b>SW</b>	<b>Schwarz</b>	<b>Black</b>	99002375	99002386
	<b>RT</b>	<b>Rot</b>	<b>Red</b>		
	<b>BL</b>	<b>Blau</b>	<b>Blue</b>	99002373	99002384
	<b>GE</b>	<b>Gelb</b>	<b>Yellow</b>	99012521	
	<b>GN</b>	<b>Grün</b>	<b>Green</b>	99018645	
	<b>GR</b>	<b>Grau</b>	<b>Grey</b>	99014814	
	<b>BR</b>	<b>Braun</b>	<b>Brown</b>	99014813	
	<b>WS</b>	<b>Weiß</b>	<b>White</b>	99009722	
	<b>VI</b>	<b>Violett</b>	<b>Purple</b>		