



LB 4-1,5 S /...20

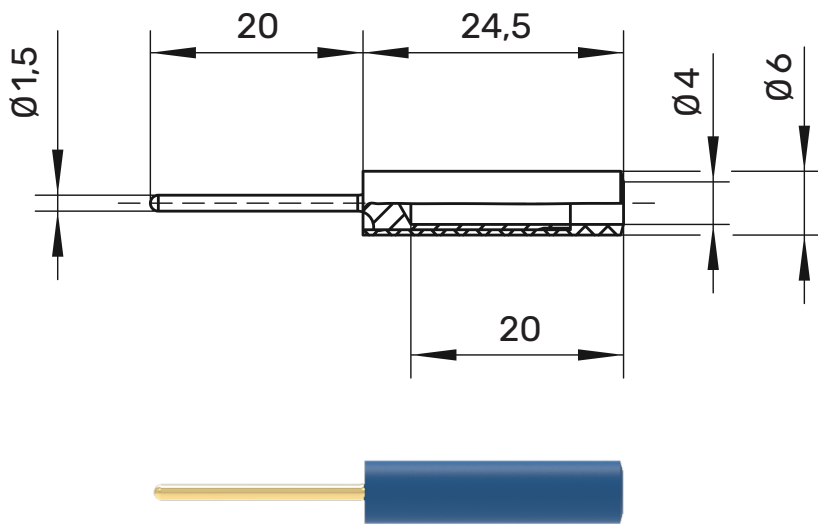
Laboratory socket

Ø 4mm-Sicherheit

1000 V CAT II

20 A

- suitable to install a permanent measuring point with a socket. For that the pin is screwed or clamped under
- pin length 20 mm



! WH 001



General information

Order No. ¹⁾	LB 4-1,5 S Ni Au /20 ... (Farbe)
colours	black, red, blue, yellow, green, grey, brown, white, purple
contact parts	nickel-plated gold-plated
insulation	PA 6.6 (UV94-2)

Technical data

terminal	pin
transition resistance	10 mΩ (Ni) / 5 mΩ (Au)
rated voltage ²⁾	1000 V CAT II
rated current ²⁾	20 A
operating temperature	from -25 °C to +80 °C

¹⁾ other contact platings, colours and designs on request
²⁾ at normal ambient temperatures

LB 4-1,5 S/..20

Ni

Au

●	SW	Schwarz	Black	99002380	99002390
●	RT	Rot	Red	99002379	
●	BL	Blau	Blue	99002376	99002388
●	GE	Gelb	Yellow	99002377	
●	GN	Grün	Green	99002378	
●	GR	Grau	Grey	99014028	
●	BR	Braun	Brown	99014029	
○	WS	Weiß	White		
●	VI	Violett	Purple		