



## LB 4-2 S

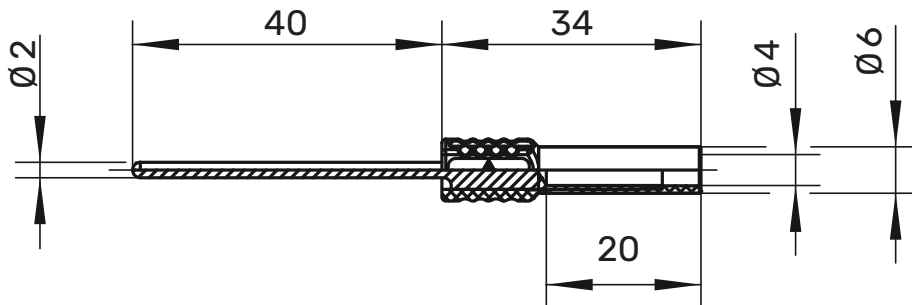
### Laboratory socket

Ø 4mm-Safety

1000 V CAT II

20 A

- suitable to install a permanent measuring point with a socket. For that the pin is screwed or clamped under
- pin length 40 mm



! WH 001



#### General information

Order No.<sup>1)</sup> **LB 4-2 S Ni /40 ... (colour)**

colours black, red

contact parts nickel-plated

insulation PA 6.6 (UV94-V2)

#### Technische Daten

terminal pin

transition resistance 10 mΩ (Ni)

rated voltage<sup>2)</sup> 1000 V CAT II

rated current<sup>2)</sup> 20 A

operating temperature from -25 °C to +80 °C

<sup>1)</sup> other contact platings and colours on request  
<sup>2)</sup> at normal ambient temperatures

**LB 4-2 S /...40**

Ni

---

●	SW	Schwarz	Black	99016614
●	RT	Rot	Red	99016615

---