



## LB 4-KS

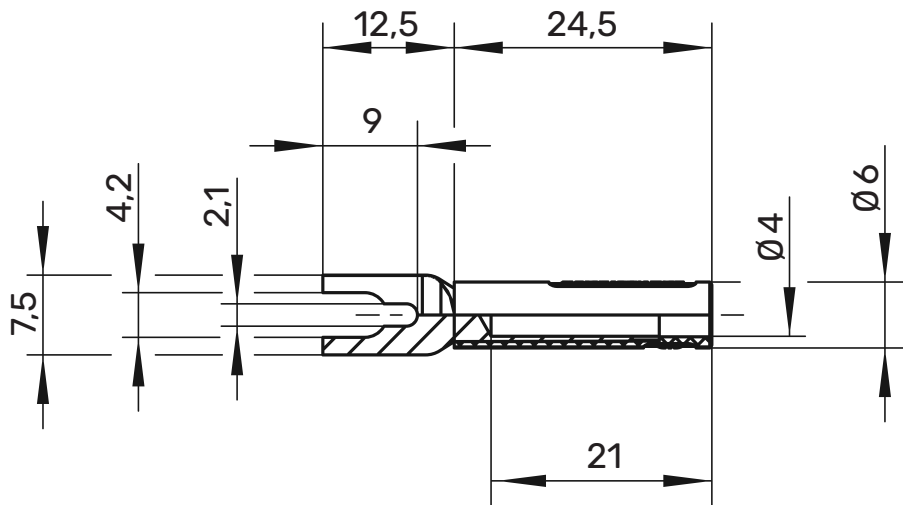
### Laboratory sockets

Ø 4mm-Safety

1000 V CAT II

20 A

- cable lug for permanent connection of screw-type terminals M2 or M4
- safety plugs with rigid sleeve can be used
- fork lug can be bent up to 90° once



! WH 001



### General information

Order No. <sup>1)</sup>	LB 4-KS Ni /9 /...(colour)
colours	black, red, blue, yellow, green, grey, brown, white, purple
contact parts	nickel-plated
insulation	PA 6.6 (UV94-V2)

### Technical data

terminal	cable lug
transition resistance	10 mΩ (Ni)
rated voltage <sup>2)</sup>	1000 V CAT II
rated current <sup>2)</sup>	20 A
operating temperature	from -25 °C to +80 °C

<sup>1)</sup> other contact platings and colours on request  
<sup>2)</sup> at normal ambient temperatures

**LB 4-KS/...9**

**Ni**

	<b>SW</b>	<b>Schwarz</b>	<b>Black</b>	99013353
	<b>RT</b>	<b>Rot</b>	<b>Red</b>	99014754
	<b>BL</b>	<b>Blau</b>	<b>Blue</b>	99014755
	<b>GE</b>	<b>Gelb</b>	<b>Yellow</b>	99014756
	<b>GN</b>	<b>Grün</b>	<b>Green</b>	99014757
	<b>GR</b>	<b>Grau</b>	<b>Grey</b>	99014758
	<b>BR</b>	<b>Braun</b>	<b>Brown</b>	99014759
	<b>WS</b>	<b>Weiß</b>	<b>White</b>	99014760
	<b>VI</b>	<b>Violett</b>	<b>Purple</b>	99014761