



## SAB 6922

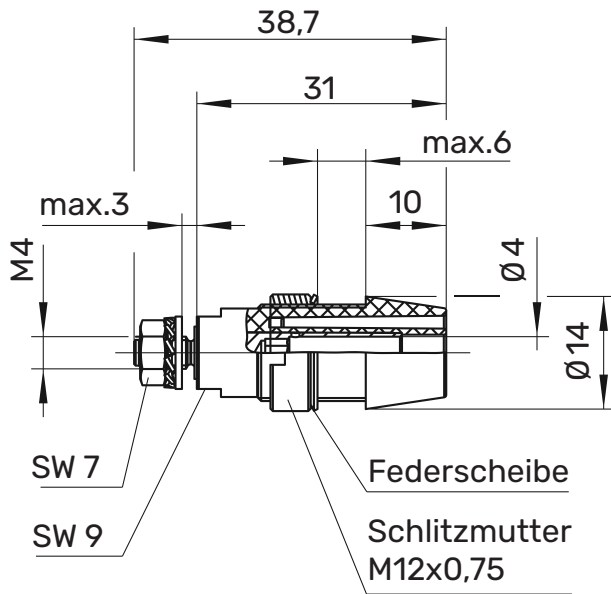
### Safety threaded socket

Ø 4mm Safety

1.000 V CAT III

32 A

- for fixture in panels up to 6 mm thick
- hole Ø 12.1 mm



⚠ WH 005



### General information

Order No. <sup>1)</sup> **SAB 6922 Ni | Au / ..(colour)**

colours black, red, blue, yellow, green, grey, brown, white, purple, green-yellow

contact parts nickel-plated | **gold-plated**

insulation PA6.6 (UL94-V2)

### Technical data

terminal M4

transition resistance 7 mΩ (Ni) | 5 mΩ (Au)

rated voltage <sup>2)</sup> 1000 V CAT III

rated current <sup>2)</sup> 32 A

operating temperature from -25 °C to +80 °C

max. torque 45 Ncm

fastening nut

SCHÜTZINGER

<sup>1)</sup> other contact platings, colours and terminals on request

<sup>2)</sup> at normal ambient temperatures

**SAB 6922**

Ni

Au

●	SW	Schwarz	Black	99014109	99014096
●	RT	Rot	Red	99014110	99013845
●	BL	Blau	Blue	99014111	99014097
●	GE	Gelb	Yellow	99014112	99014098
●	GN	Grün	Green	99014113	99014099
●	GR	Grau	Grey	99014114	99013797
●	BR	Braun	Brown	99016186	99016183
○	WS	Weiß	White	99016187	99015168
●	VI	Violett	Purple	99014115	99013798
●	GNGE	Grüngelb	green-yellow	99015133	99015132