



SAB 7560

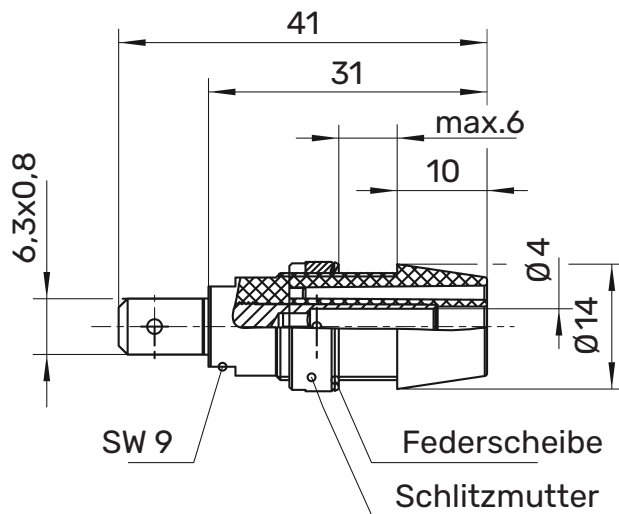
Safety threaded socket

Ø 4mm Safety

1.000 V CAT III

32 A

- for fixture in panels up to 6 mm thick
- fixed by: slotted nut M12 x 0.75 and spring washer
- hole Ø 12.2+0.1 mm
- flat tab can be bent up to 90° once
- fixture using special tools MWZ 8 and MWZ 15
- astening nut (slotted nut) M12 x 0.75



! WH 005



MA 007



General information

Order No. ¹⁾	SAB 7560 Ni Au / ... (colour)
colours	black, red, blue, yellow, green, grey, brown, white, purple, green-yellow
contact parts	nickel-plated gold-plated
insulation	PA6.6 (UL94-V2)

Technical data



terminal	FSH 6,3 mm x 0,8 mm
transition resistance ⁴⁾	7 mΩ (Ni) 5 mΩ (Au)
rated voltage ²⁾	1000 V CAT III
rated current ²⁾	32 A
operating temperature	from -25 °C to +80 °C
max. torque	45 Ncm
fastening nut	

¹⁾ other contact platings, colours and terminals on request
²⁾ at normal ambient temperatures
⁴⁾ depending on contact plating

SAB 7560

Ni

Au

	SW	Schwarz	Black	99016514	99015418
	RT	Rot	Red	99016515	99016511
	BL	Blau	Blue	99018593	99017201
	GE	Gelb	Yellow	99018594	99015419
	GN	Grün	Green	99019586	99017198
	GR	Grau	Grey		
	BR	Braun	Brown		
	WS	Weiß	White		
	VI	Violett	Purple		
	GNGE	GrünGelb	green-yellow	99017280	99015420