



SAB 9430

Safety threaded socket

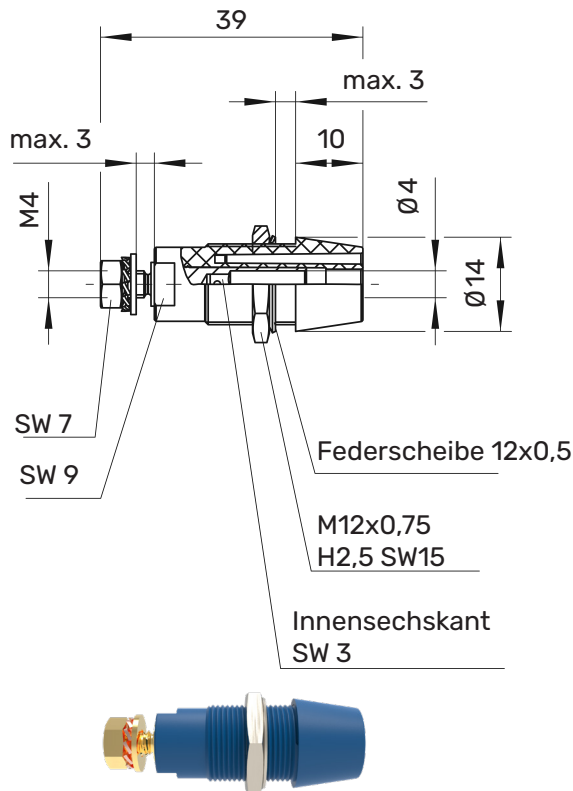
Ø 4mm Sicherheit

1500 V_{DC}

1000 V CAT III

600 V CAT IV

- for fixture into panels up to 3 mm thick
- fixed by: hexagon nut M12 x 0.75 and spring washer
- hole Ø 12.2±0.1 mm
- fastening nut (hexagon nut) M12 x 0.75



! WH 062



MA 028



General information

Order No.¹⁾ **SAB 9430 Ni | Au / ...(colour)**

colours black, red, blue, yellow, green, grey, brown, white, purple, green-yellow

contact parts nickel-plated | **gold-plated**

insulation PA6.6 (UL94-V2)

Technical data

terminal M4 x 0.7 hexagon nut

transition resistance⁴⁾ 7 mΩ (Ni) | 5 mΩ (Au)

rated voltage²⁾ 1500 V_{DC} / 1000 V CAT III / 600 V CAT IV

rated current²⁾ 32 A

operating temperature from -25 °C to +80 °C

max. torque 45 Ncm

fastening nut

max. torque 100 Ncm

nut M4

¹⁾ other contact platings, colours and terminals on request

²⁾ at normal ambient temperatures

⁴⁾ depending on contact plating

SAB 9430

Ni

Au

●	SW	Schwarz	Black	99022790	99022796
●	RT	Rot	Red	99022791	99022797
●	BL	Blau	Blue	99022792	99022798
●	GE	Gelb	Yellow	99022793	99022793
●	GN	Grün	Green	99022794	99022794
●	GR	Grau	Grey		
●	BR	Braun	Brown		
○	WS	Weiß	White		
●	VI	Violett	Purple		
●	GNGE	GrünGelb	green-yellow	99022795	99022795