



## SEB 3400

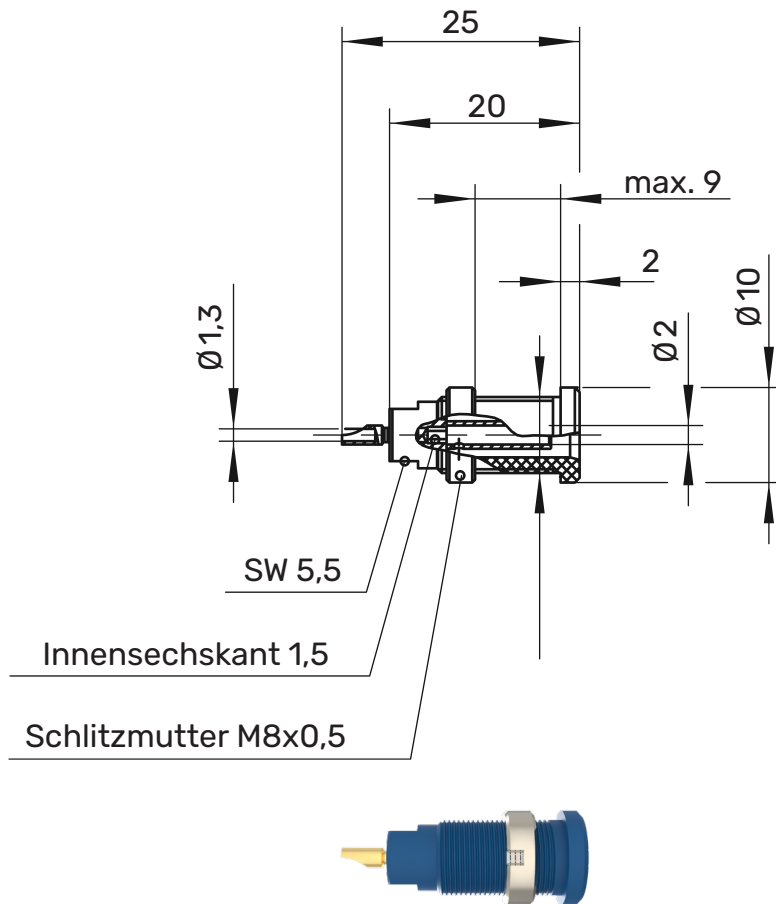
### Safety threaded socket

Ø 2mm Safety

600 V CAT III

10 A

- for fixture in panels up to 9 mm thickness
- fixed by: slotted nut M8 x 0.5
- hole Ø 8.2
- fixture using special tool MWZ 4 and allen key 6-kant 1.5, see chapter accessories
- fastening nut (slotted nut) nickel-plated



! WH 004



MA 006



### General information

Order No. <sup>1)</sup>	SEB 3400 Ni   Au / ..(colour)
colours	black, red, blue, yellow, green, green-yellow
contact parts	nickel-plated   gold-plated
insulation	PA 6.6 (UV94-V2)

### Technical data

terminal	solder
transition resistance	5 mΩ (Ni)   3 mΩ (Au)
rated voltage <sup>2)</sup>	600 V CAT III
rated current <sup>2)</sup>	10 A
operating temperature	from -25 °C to +80 °C
max. torque	30 Ncm
fastening nut	SCHÜTZINGER

<sup>1)</sup> other contact platings, colours and terminals on request

<sup>2)</sup> at normal ambient temperatures

**SEB 3400**

**Ni**

**Au**

 <b>SW</b>	<b>Schwarz</b>	<b>Black</b>	99008437	99008439
 <b>RT</b>	<b>Rot</b>	<b>Red</b>	99008438	99008440
 <b>BL</b>	<b>Blau</b>	<b>Blue</b>	99016500	99016502
 <b>GE</b>	<b>Gelb</b>	<b>Yellow</b>	99016479	99016503
 <b>GN</b>	<b>Grün</b>	<b>Green</b>	99016501	99016504
 <b>GNGE</b>	<b>Grüngelb</b>	<b>green-yellow</b>	99016141	99016142