



SEB 3401

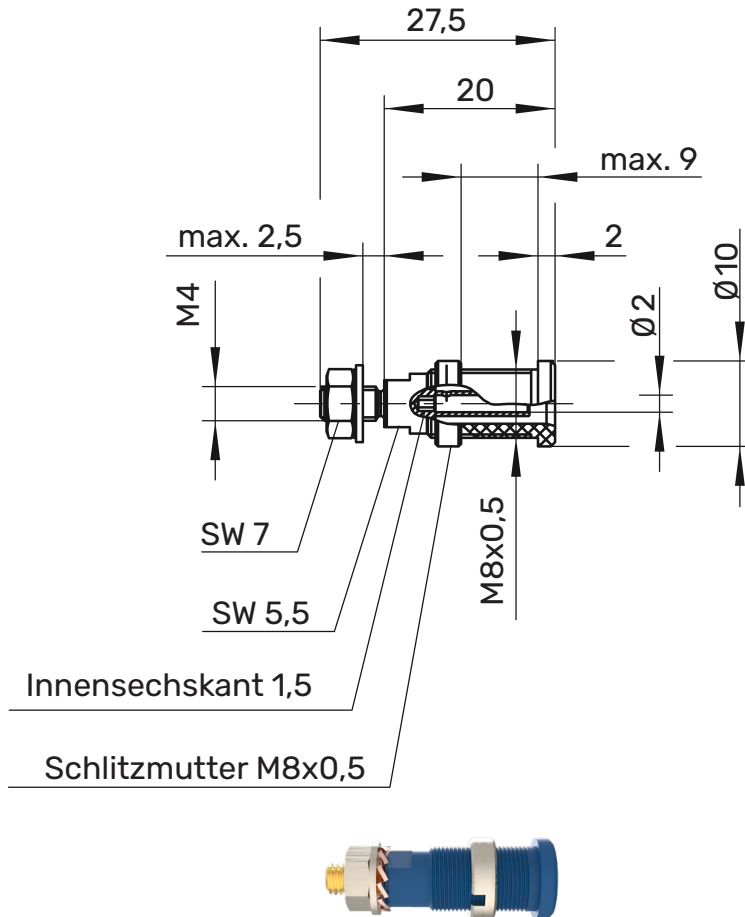
Safety threaded socket

Ø 2mm Safety

600 V CAT III

10 A

- for fixture in panels up to 9 mm thickness
- fixed by: slotted nut M8 x 0.5
- hole Ø 8.2
- fixture using special tool MWZ 4 and allen key 6-kant 1.5, see chapter accessories
- fastening nut (slotted nut) nickel-plated



! WH 004



MA 006



General information

Order No.¹⁾ **SEB 3401 Ni | Au / ..(colour)**

colours black, red, blue, yellow, green, green-yellow

contact parts nickel-plated | **gold-plated**

insulation PA 6.6 (UV94-V2)

Technical data

terminal M4

transition resistance 5 mΩ (Ni) | 3 mΩ (Au)

rated voltage²⁾ 600 V CAT III

rated current²⁾ 10 A

operating temperature from -25 °C to +80 °C

max. torque 30 Ncm

fastening nut

SCHÜTZINGER

¹⁾ other contact platings, colours and terminals on request

²⁾ at normal ambient temperatures

SEB 3401

Ni

Au

 SW Schwarz Black 99008426 99008428
 RT Rot Red 99008427 99008429
 BL Blau Blue 99018059 99021407
 GE Gelb Yellow 99018060 99021408
 GN Grün Green 99018061 99021409
 GNGE Grüngelb green-yellow 99016145 99016146