



SEB 6525

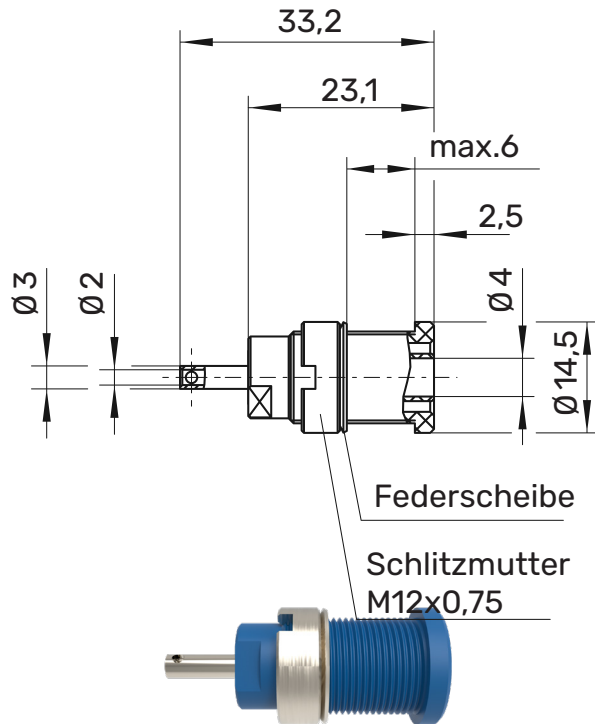
Safety threaded socket

Ø 4mm Safety

1000 V CAT III

10 A

- for fixture in panels up to 6 mm thick
- fixed by: slotted nut M12 x 0.75 and spring washer
- hole Ø 12.2+0.1 mm
- fixture using special tools MWZ 8 and MWZ 15
- Befestigungsmutter (Schlitzmutter) M12 x 0,75
- fastening nut (slotted nut) M12 x 0.75



! WH 035



MA 007



General information

| | |
|-------------------------|--|
| Order No. ¹⁾ | SEB 6525 Ni ...(Farbe) |
| colours | schwarz, rot, blau, gelb, grün, grau, braun, weiß, orange, violett, grüngelb |
| contact parts | nickel-plated |
| insulation | PA 6.6 (Polyamid) UL94 - V2 |


Technical data

| | |
|-----------------------------|-----------------------|
| terminal | solder |
| transition resistance | 7 mΩ (Ni) |
| rated voltage ²⁾ | 1000 V CAT III |
| rated current ²⁾ | 10 A |
| operating temperature | from -25 °C to +80 °C |
| max. torque | 45 Ncm |
| fastening nut | |

¹⁾ other contact platings, colours and terminals on request
²⁾ at normal ambient temperatures

SEB 6525

Ni

| | | | | |
|---|-------------|-----------------|---------------------|----------|
|  | SW | Schwarz | Black | 99014649 |
|  | RT | Rot | Red | 99014650 |
|  | BL | Blau | Blue | 99014719 |
|  | GE | Gelb | Yellow | 99014720 |
|  | GN | Grün | Green | 99014721 |
|  | GR | Grau | Grey | 99014722 |
|  | BR | Braun | Brown | 99014723 |
|  | WS | Weiß | White | 99014724 |
|  | VI | Violett | Purple | 99014725 |
|  | OR | Orange | Orange | 99023280 |
|  | GNGE | Grüngelb | green-yellow | 99014726 |