



## SEB 8632

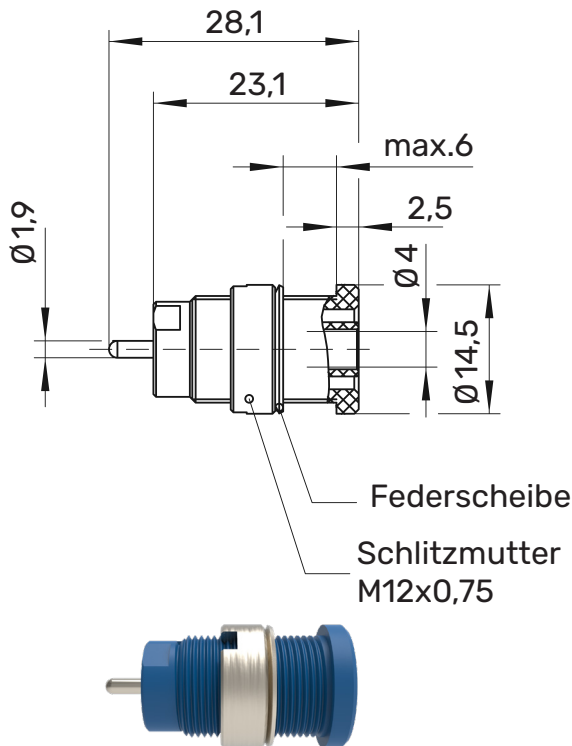
### Safety threaded socket

Ø 4mm Safety

1000 V CAT III

24 A

- for fixture into panels up to 6 mm thick
- fixed by: slotted nut M12 x 0.75 and spring washer
- hole Ø 12.2+0.1 mm
- fixture using special tool MWZ 8 and MWZ 15



! WH 034



MA 007



### General information

Order No. <sup>1)</sup>	<b>SEB 8632 Ni ... (colour)</b>
colours	black, red, blue, yellow, green, grey, brown, white
contact parts	nickel-plated
insulation	PA 6.6 (Polyamid) UL94 - V2

### Technical data

terminal	pin Ø 1,9 mm
transition resistance	5 mΩ (Ni)
rated voltage <sup>2)</sup>	1000 V CAT III
rated current <sup>2)</sup>	24 A
operating temperature	from -25 °C to +80 °C
max. torque	45 Ncm
fastening nut	

<sup>1)</sup> other contact platings, colours and terminals on request  
<sup>2)</sup> at normal ambient temperatures

**SEB 8632**

Ni

	<b>SW</b>	<b>Schwarz</b>	<b>Black</b>	99018471
	<b>RT</b>	<b>Rot</b>	<b>Red</b>	99018472
	<b>BL</b>	<b>Blau</b>	<b>Blue</b>	99018473
	<b>GE</b>	<b>Gelb</b>	<b>Yellow</b>	99018474
	<b>GN</b>	<b>Grün</b>	<b>Green</b>	99018475
	<b>GR</b>	<b>Grau</b>	<b>Grey</b>	99018476
	<b>BR</b>	<b>Braun</b>	<b>Brown</b>	99018477
	<b>WS</b>	<b>Weiß</b>	<b>White</b>	99018478