



SEB 8660

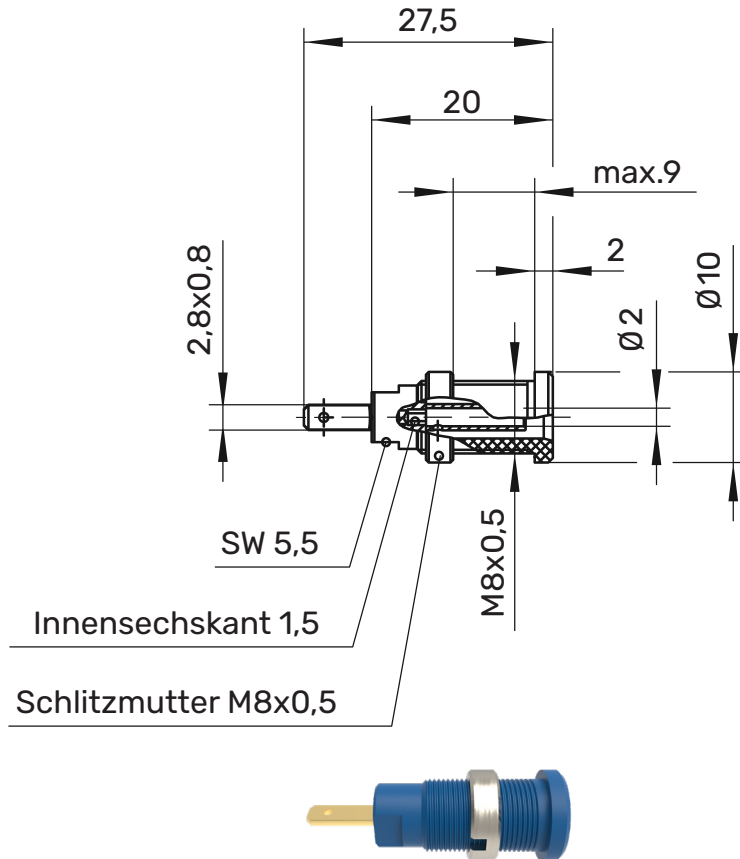
Safety threaded socket

Ø 2mm Safety

600 V CAT III

10 A

- for fixture into panels up to 9 mm thick
- fixed by: slotted nut M8 x 0.5
- hole Ø 8,2 mm
- fixture using special tool MWZ 4 and allen key 6-kant 1.5
- fastening nut (slotted nut) nickel-plated



! WH 004



MA 006



General information

Order No. ¹⁾	SEB 8660 Ni Au ... (colour)
colour	black, red, blue, yellow, green
contact parts	nickel-plated gold-plated
insulation	PA 6.6 (UL94-V2)

Technical data






terminal	FSH 2,8 mm x 0,8 mm
transition resistance ⁴⁾	5 mΩ (Ni) / 3 mΩ (Au)
rated voltage ²⁾	600 V CAT III
rated current ²⁾	10 A
operating temperature	from -25 °C to +75 °C
max. torque	30 Ncm
fastening nut	

¹⁾ other contact platings, colours and terminals on request
²⁾ at normal ambient temperatures
⁴⁾ depending on contact plating

SEB 8660

Ni

Au

	SW	Schwarz	Black	99019679	99019657
	RT	Rot	Red	99019680	99019658
	BL	Blau	Blue	99022439	
	GE	Gelb	Yellow	99022440	
	GN	Grün	Green	99022441	