



## SEPB 6449

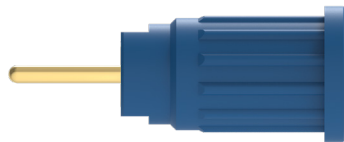
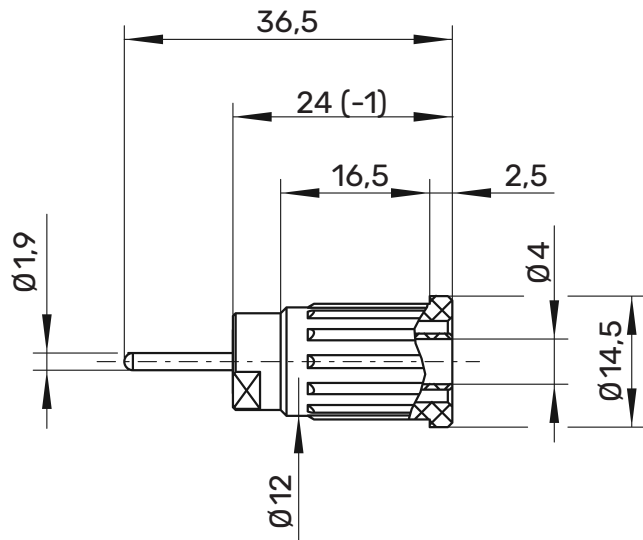
### Safety press-in socket

Ø 4mm safety

1000 V CAT III

24 A

- for pressing into panels up to 6 mm thick
- location hole Ø 12.2±0.1 mm, countersunk one-sided (approx. 0.5 x 45°)
- panel thickness:  
metal panels: ≥ 1 mm  
plastic panels: ≥ 2 mm
- fixture using special tool MWZ 13



MA 005



#### General information

Order No. <sup>1)</sup>	SEPB 6449 Ni   Au ...(colour)
colours	black, red, blue, yellow, green, grey, brown, white, orange, purple, green-yellow
contact parts	nickel-plated   gold-plated
insulation	PA 6.6 (Polyamid) UL94 - V2

#### Technical data

terminal	pin Ø 1,9 mm
transition resistance	5 mΩ (Ni) / 3 mΩ (Au)
rated voltage <sup>2)</sup>	1000V CAT III
rated current <sup>2)</sup>	24 A
operating temperature	from -25 °C to +80 °C

<sup>1)</sup> other contact platings, colours and terminals on request  
<sup>2)</sup> at normal ambient temperatures

**SEPB 6449**

**Ni**

**Au**

	<b>SW</b>	<b>Schwarz</b>	<b>Black</b>	99014148	99016735
	<b>RT</b>	<b>Rot</b>	<b>Red</b>	99018575	99019004
	<b>BL</b>	<b>Blau</b>	<b>Blue</b>	99018576	99019005
	<b>GE</b>	<b>Gelb</b>	<b>Yellow</b>	99018411	99019006
	<b>GN</b>	<b>Grün</b>	<b>Green</b>	99012401	99019007
	<b>GR</b>	<b>Grau</b>	<b>Grey</b>	99012402	99019008
	<b>BR</b>	<b>Braun</b>	<b>Brown</b>		
	<b>WS</b>	<b>Weiß</b>	<b>White</b>	99021616	99019009
	<b>VI</b>	<b>Violett</b>	<b>Purple</b>		
	<b>OR</b>	<b>Orange</b>	<b>Orange</b>		
	<b>GNGE</b>	<b>Grüngelb</b>	<b>green-yellow</b>	99016734	99016736