



SEPB 6451

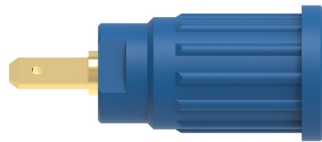
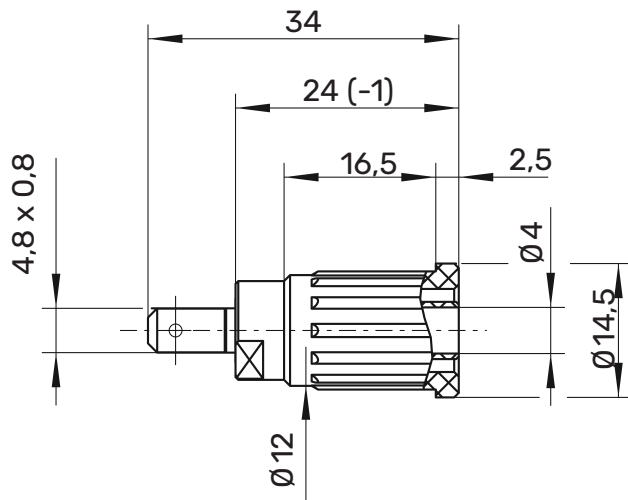
Safety press-in socket

Ø 4mm safety

1000 V CAT III

24 A

- for pressing into panels up to 6 mm thick
- location hole Ø 12.2±0.1 mm, countersunk one-sided (approx. 0.5 x 45°)
- panel thickness:
metal panels: ≥ 1 mm
plastic panels: ≥ 2 mm
- flat tab, can be bent up to 90° once
- turned part
- fixture using special tool MWZ 13



MA 005



General information

Order No. ¹⁾	SEPB 6451 Ni Au ... (colour)
colours	black, red, blue, yellow, green, grey, brown, white, orange, purple, green-yellow
contact parts	nickel-plated gold-plated
insulation	PA 6.6 (Polyamid) UL94 - V2

Technical data

terminal	FSH 4,8 mm x 0,8 mm
transition resistance	5 mΩ (Ni) / 3 mΩ (Au)
rated voltage ²⁾	1000V CAT III
rated current ²⁾	24 A
operating temperature	from -25 °C to +80 °C

¹⁾ other contact platings, colours and terminals on request
²⁾ at normal ambient temperatures

SEPB 6451

Ni

Au

	SW	Schwarz	Black	99014150	99016172
	RT	Rot	Red	99017316	99012956
	BL	Blau	Blue	99019560	
	GE	Gelb	Yellow	99021056	99021056
	GN	Grün	Green	99012950	99012950
	GR	Grau	Grey		
	BR	Braun	Brown	99018970	
	WS	Weiß	White	99018971	
	VI	Violett	Purple		
	OR	Orange	Orange		
	GNGE	Grüngelb	green-yellow	99016171	99016173