



SEPB 6453

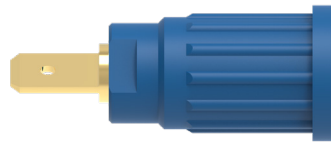
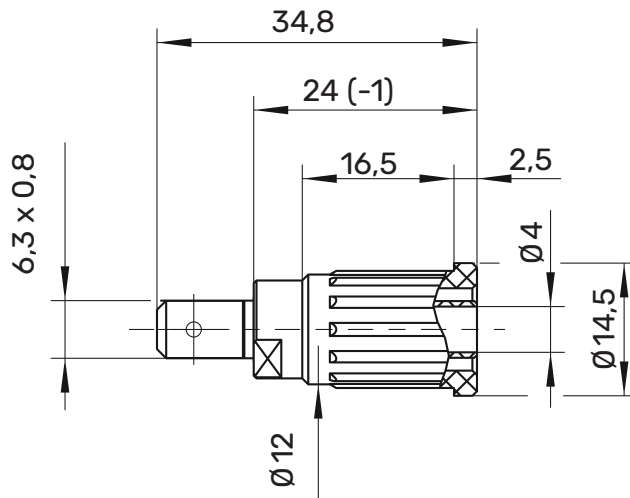
Safety press-in socket

Ø 4mm safety

1000 V CAT III

32 A

- for pressing into panels up to 6 mm thick
- location hole Ø 12.2±0.1 mm, countersunk one-sided (approx. 0.5 x 45°)
- panel thickness:
metal panels: ≥ 1 mm
plastic panels: ≥ 2 mm
- flat tab, can be bent up to 90° once
- turned part
- fixture using special tool MWZ 13



MA 005



General information

Order No. ¹⁾	SEPB 6453 Ni Au ...(colour)
colours	black, red, blue, yellow, green, grey, brown, white, orange, purple, green-yellow
contact parts	nickel-plated gold-plated
insulation	PA 6.6 (Polyamid) UL94 - V2

Technical data

terminal	FSH 6,3 mm x 0,8 mm
transition resistance	5 mΩ (Ni) / 3 mΩ (Au)
rated voltage ²⁾	1000V CAT III
rated current ²⁾	32 A
operating temperature	from -25 °C to +80 °C

¹⁾ other contact platings, colours and terminals on request
²⁾ at normal ambient temperatures

SEPB 6453

Ni

Au

	SW	Schwarz	Black	99014152	99016175
	RT	Rot	Red	99016036	99016350
	BL	Blau	Blue	99015947	99017516
	GE	Gelb	Yellow	99017250	
	GN	Grün	Green	99018511	
	GR	Grau	Grey	99016814	99016476
	BR	Braun	Brown	99016032	
	WS	Weiß	White	99017264	
	VI	Violett	Purple	99012893	
	OR	Orange	Orange	99022119	
	GNGE	Grüngelb	green-yellow	99016174	99016176