



## SEPB 6887

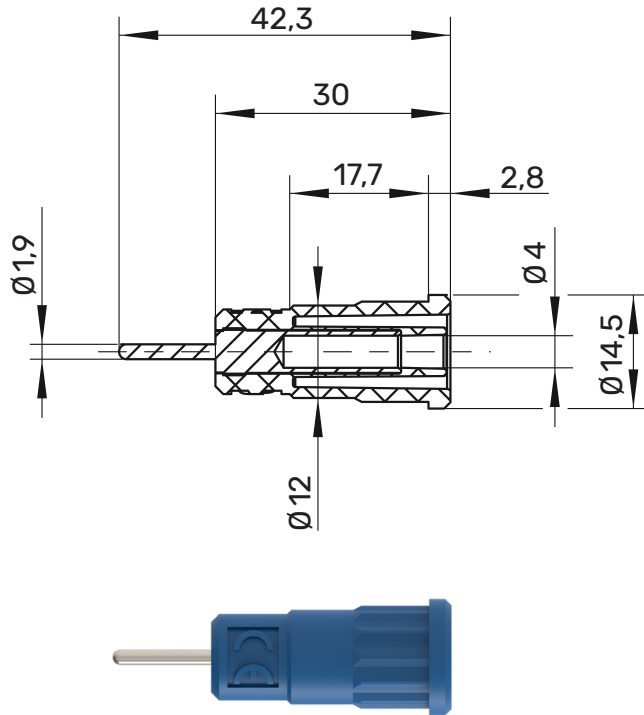
### Safety press-in socket

Ø 4mm safety

1000 V CAT IV

36 A

- for pressing into panels from 2 to 6 mm thick
- plastic, with hole Ø 12.2 mm
- fixture using press-in tool MWZ 13
- metal, with hole Ø 12.5 mm



! WH 036



MA 005



#### General information

Order No. <sup>1)</sup> **SEPB 6887 Ni ... (colour)**

colours black, red, blue, yellow, green

contact parts nickel-plated

insulation PA 6.6 (UV94-V2)

#### Technical data

terminal pin Ø 1,9 mm x 12,3 mm

transition resistance 5 mΩ (Ni)

rated voltage <sup>2)</sup> 1000 V CAT IV

rated current <sup>2)</sup> 36 A


operating temperature from -25 °C to +80 °C

<sup>1)</sup> other contact platings, colours and terminals on request

<sup>2)</sup> at normal ambient temperatures

**SEPB 6887**

Ni

	<b>SW</b>	<b>Schwarz</b>	<b>Black</b>	99013973
	<b>RT</b>	<b>Rot</b>	<b>Red</b>	99013974
	<b>BL</b>	<b>Blau</b>	<b>Blue</b>	99014011
	<b>GE</b>	<b>Gelb</b>	<b>Yellow</b>	99014012
	<b>GN</b>	<b>Grün</b>	<b>Green</b>	99014013