



## SEPB 8518

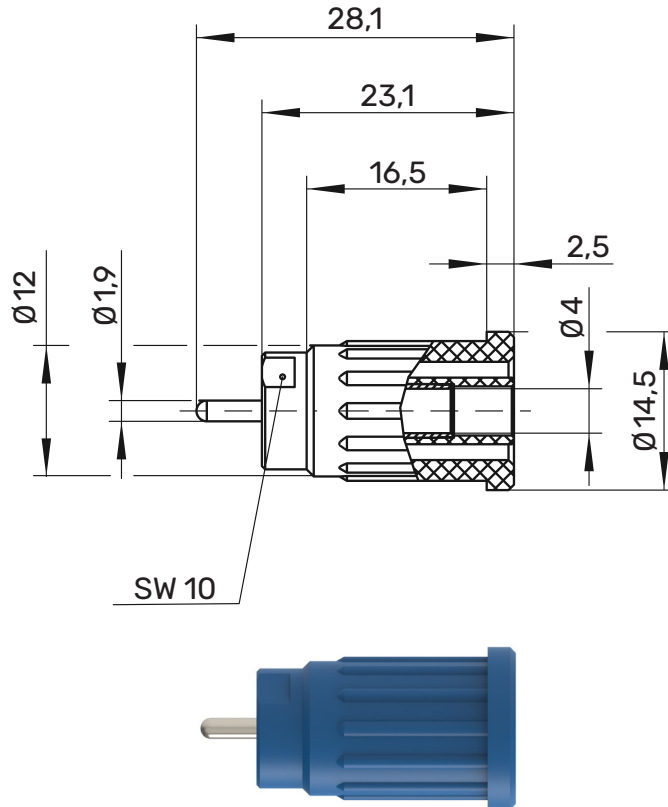
### Safety press-in socket

Ø 4mm safety

1000 V CAT III

24 A

- for pressing into panels up to 6 mm thick
- hole Ø 12.2±0.1 mm, countersunk one-sided (approx. 0.5 x 45°)
- panel thickness:  
metal panels: ≥ 1 mm  
plastic panels: ≥ 2 mm
- fixture using special tool MWZ 13



! WH 034



MA 005



#### General information

Order No. <sup>1)</sup>	SEPB 8518 Ni ...(colour)
colours	black, red, blue, green, grey, brown, white, orange, purple, green-yellow
contact parts	nickel-plated
insulation	PA 6.6 (Polyamid) UL94 - V2

#### Technical data

terminal	pin Ø 1,9 mm
transition resistance	5 mΩ (Ni)
rated voltage <sup>2)</sup>	1000 V CAT III
rated current <sup>2)</sup>	24 A
operating temperature	from -25 °C to +80 °C

<sup>1)</sup> other contact platings, colours and terminals on request  
<sup>2)</sup> at normal ambient temperatures

**SEP8 8518**

**Ni**

 <b>SW</b>	<b>Schwarz</b>	<b>Black</b>	99018435
 <b>RT</b>	<b>Rot</b>	<b>Red</b>	99018436
 <b>BL</b>	<b>Blau</b>	<b>Blue</b>	99018437
 <b>GE</b>	<b>Gelb</b>	<b>Yellow</b>	99018438
 <b>GN</b>	<b>Grün</b>	<b>Green</b>	99018439
 <b>GR</b>	<b>Grau</b>	<b>Grey</b>	
 <b>BR</b>	<b>Braun</b>	<b>Brown</b>	
 <b>WS</b>	<b>Grüngelb</b>	<b>green-yellow</b>	
 <b>PVI</b>	<b>Violett</b>	<b>Purple</b>	
 <b>OR</b>	<b>Orange</b>	<b>Orange</b>	
 <b>GNGR</b>	<b>Grüngelb</b>	<b>Green-yellow</b>	