



## SEPB 8522

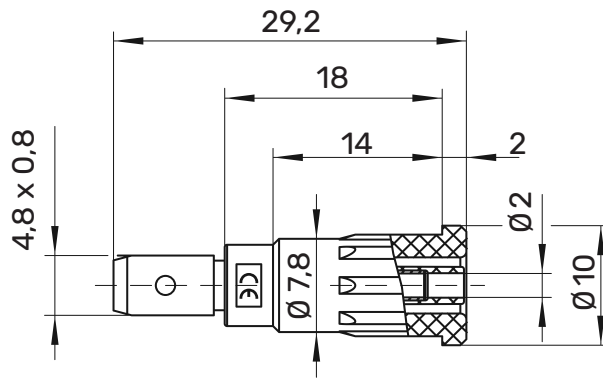
### Safety press-in socket

Ø 2 mm safety

600 V CAT II

10 A

- for pressing into panels up to 6 mm thick
- hole:  
metal:  $\varnothing 8.3 \pm 0.05$  mm  
plastic:  $\varnothing 8 + 0.2$  mm
- panel thickness:  
metal panels:  $\geq 1$  mm  
plastic panels:  $\geq 2$  mm



⚠ WH 037



#### General information

Order No. <sup>1)</sup>	SEPB 8522 Ni ...(colour)
colours	black, red
contact parts	nickel-plated
insulation	PA 6.6 (Polyamid)

#### Technical data

terminal	FR 4.8 x 0.8 mm
transition resistance	5 mΩ (Ni)
rated voltage <sup>2)</sup>	600 V CAT II
rated current <sup>2)</sup>	10 A
operating temperature	from -25 °C to +80 °C

<sup>1)</sup> other contact platings, colours and terminals on request  
<sup>2)</sup> at normal ambient temperatures

**SEPB 8522**

Ni

---

●	SW	Schwarz	Black	99018441
●	RT	Rot	Red	99018442

---