



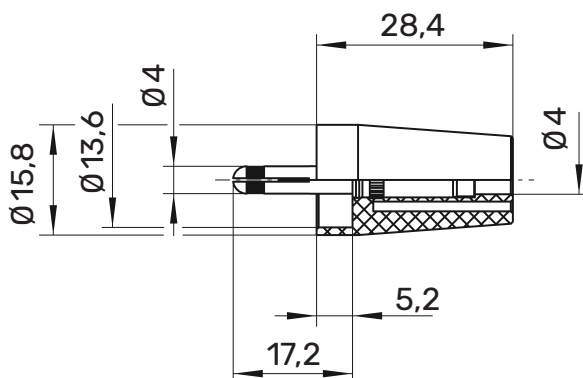
SURB 2112

Safety adapter

Ø 4mm safety

32 A

- The safety adapter can be fitted into all Ø 4 mm sockets. The socket head is completely covered. This ensures compatibility with safety measuring leads with rigid sleeves. By screwing a locking screw (SW 1.5) into the splay plug, the safety socket adapter can be tightly connected to the Ø 4 mm socket. The safety adapter can then no longer be removed without tools.



- Please note the technically required left-handed thread of the hexagonal socket screw. The existing socket body cannot be screwed out of its insulating head when tightening the screw. When installing the safety adapter please heed the five safety rules as stipulated in DIN VDE 0105-100. In short:

1. Disconnect
2. Secure against restoration of power
3. Establish that voltage is cut off
4. Earthing and short-circuiting
5. Cover or enclose adjacent live parts

The air gaps and creep paths given for the appliances for the installed socket must also be taken into consideration when using the safety adapter. These may determine the operating voltage.



⚠ WH 004



General information

Order No. ¹⁾	SURB 2112 Ni ... (colour)
colours	black, red, blue, yellow, green, grey, white, purple
contact parts	nickel-plated
insulation	PA 6.6 (Polyamid)

Technical data

terminal	see assembly instructions
transition resistance	5 mΩ (Ni)
rated current ²⁾⁴⁾	32 A
operating temperature	from -25 °C to +80 °C

¹⁾ other colours on request
²⁾ at normal ambient temperatures
⁴⁾ depending on appliance

SURB 2112

Ni

●	SW	Schwarz	Black	99005057
●	RT	Rot	Red	99005055
●	BL	Blau	Blue	99005043
●	GE	Gelb	Yellow	99005045
●	GN	Grün	Green	99005047
●	GR	Grau	Grey	99005051
○	WS	Wei	White	99005061
●	VI	Violett	Purple	99005053