



SWEB 8094

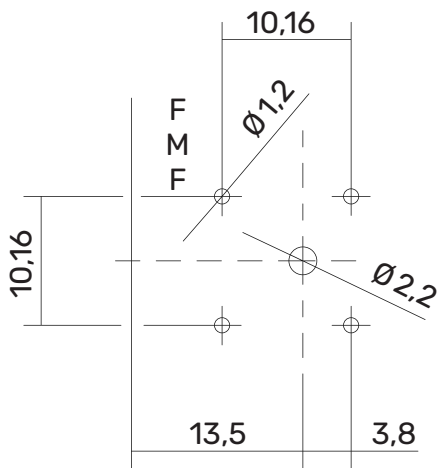
Safety angled socket

Ø 4 mm safety

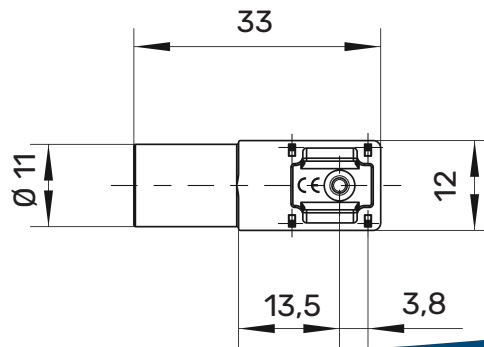
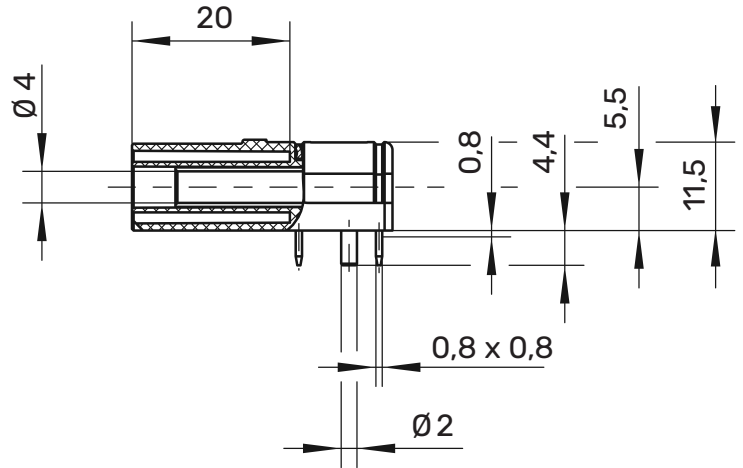
1000 V CAT III

24 A

- angled safety socket for fixture on PCB
- socket Ø 4 mm



hole pattern for PCB layout



! WH 034



General information

Order No ¹⁾	SWEB 8094 Au ... (colour)
colours	black, red, blue, brown, yellow, green, grey, white, orange, purple
contact parts	gold-plated and tin-plated
insulation	PA 6.6 (UV94-V2)



Technical data

terminal	PCB
transition resistance	10 mΩ (Au)
rated voltage ²⁾	1000 V CAT III
rated current ²⁾	24 A
operating temperature	von -25 °C bis +80 °C

¹⁾ other contact platings and colours on request
²⁾ at normal ambient temperatures

SWEB 8094

Au

	SW	Schwarz	Black	99017130
	RT	Rot	Red	99017466
	BL	Blau	Blue	99017467
	GE	Gelb	Yellow	99017468
	GN	Grün	Green	99017469
	GR	Grau	Grey	99018052
	BR	Braun	Brown	99018053
	WS	Weiß	White	99018054
	VI	Violett	Purple	99018055
	OR	Orange	Orange	99020648